

LIGHTWAY 6 / SYMMETRICAL BAFFLES

PENDANT DIRECT / INDIRECT

The Lightway 6 Direct/Indirect linear system offers numerous combinations of optics and output options. A well-lit ceiling improves the look of the workspace without having to compromise on the efficiency.

The symmetrical baffles, for direct emission, offers excellent glare control and are compatible with a wide array of beam angles, generating a powerful overall lighting effect.

- Diverse options of beam angles: very narrow, narrow, medium, wide and elliptical
- Excellent glare control and visual cutoff. Transversal & longitudinal shielding angle (45°)
- Delivers High levels of light



Luminaire

Application: Ambient
Body Material: Extruded aluminium

Optics

Optic Type: UV stabilized TIR Lens
Glare Control Device: Aluminium Anti-Glare Baffles
Surface Diffuser: No Diffuser

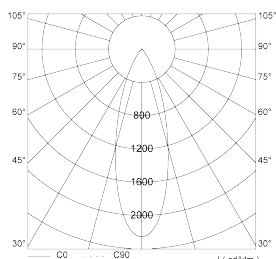
Indirect Optic

Indirect Optic Type: PMMA Batwing Linear Lens, PMMA Opal Lens

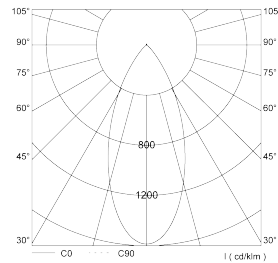
Electrical equipment

Mains Voltage: 220-240 VAC 50/60 Hz
Control Gear Efficacy: > 85%

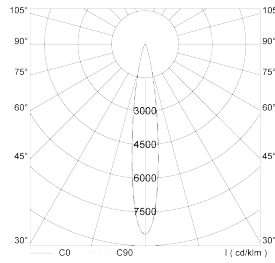
Polar Curve



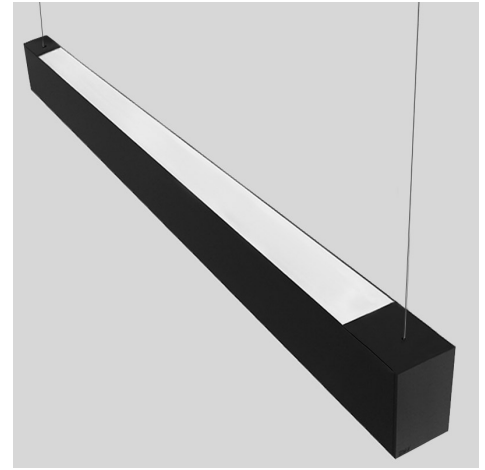
Medium Beam, 30° /
LOR: 85.6%



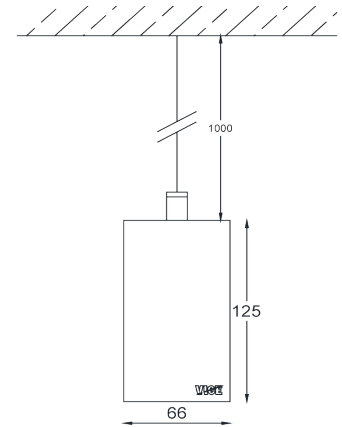
Wide Beam, 45° /
LOR: 76.8%



Narrow Beam, 15°
/ LOR: 75%



reddot award 2017
winner

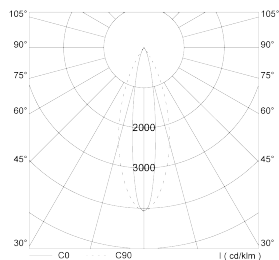


We reserve the right to make technical changes without prior notice



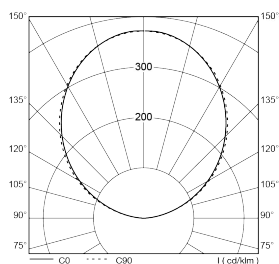
LIGHTWAY 6 / SYMMETRICAL BAFFLES

PENDANT DIRECT / INDIRECT



Elliptical beam 15° x 36° /
LOR: 88%

Indirect Polar Curve



LOR: 74.8%

LIGHTWAY 6 / SYMMETRICAL BAFFLES

PENDANT DIRECT / INDIRECT

Code Index:

| <u>L 6</u> | <u>I</u> | <u>P B</u> | <u>---</u> | <u>---</u> | <u>-----</u> | <u>-</u> | <u>---</u> | <u>---</u> | <u>N</u> | <u>I</u> | <u>---</u> | <u>-</u> |
|------------|-------------|------------|------------|------------|-----------------|----------|--------------------------|-------------|-----------|----------|------------|----------|
| Family | Environment | Mounting | Optic | Beam Angle | CRI/CCT & Power | Control | CRI/CCT & Power Indirect | Body Finish | Emergency | Layout | Length | Wiring |
| | | | AB | 15 | 927P1 | C | O1 | BS | | | 60 | I |
| | | | AG | 30 | 927P2 | D | O2 | BT | | | 90 | B |
| | | | AW | 45 | 927P3 | E | O3 | WS | | | 120 | M |
| | | | | E2 | 930P1 | | | WT | | | 150 | E |
| | | | | | 930P2 | | | GS | | | 180 | |
| | | | | | 930P3 | | | | | | 210 | |
| | | | | | 940P1 | | | | | | 240 | |
| | | | | | 940P2 | | | | | | 270 | |
| | | | | | 940P3 | | | | | | 300 | |

| Family | Environment | Mounting | Optic | Beam Angle |
|---------------|-------------|------------------------------|--|---|
| L6 Lightway 6 | I Indoor | PB Pendant Direct & Indirect | AB Black Symmetrical Baffles AG Gray Symmetrical Baffles AW White Symmetrical Baffles | 15 Narrow Beam, 15° 30 Medium Beam, 30° 45 Wide Beam, 45° E2 Elliptical beam 15° x 36° |

| CRI/CCT & Power | Control | CRI/CCT & Power Indirect | Body Finish | | | | | | | | | | | | | | | | | | | | | | | | | | | | | | | | | | | | | | | | | | | | | | | | | | | | | | | | | | | | |
|--|-----------------|--------------------------|---------------|--------|---------------|-----------|--|---------------|-----------|--|---------------|-----------|--------|---------------|-----------|--|---------------|-----------|--|---------------|-----------|--------|---------------|-----------|--|---------------|-----------|--|---------------|-----------|--|--|--|----------|---------------|--------|-----------------|-----------|--|-----------------|-----------|--|-----------------|-----------|--------|-----------------|-----------|--|-----------------|-----------|--|-----------------|-----------|--------|-----------------|-----------|--|-----------------|-----------|--|-----------------|-----------|---|
| <table border="1"> <thead> <tr> <th></th> <th>LED Load</th> <th>initial Lumen</th> </tr> </thead> <tbody> <tr> <td>2700°K</td> <td>927N2: 19 W/m</td> <td>2480 lm/m</td> </tr> <tr> <td></td> <td>927N4: 28 W/m</td> <td>3410 lm/m</td> </tr> <tr> <td></td> <td>927N5: 35 W/m</td> <td>4220 lm/m</td> </tr> <tr> <td>3000°K</td> <td>930N2: 19 W/m</td> <td>2650 lm/m</td> </tr> <tr> <td></td> <td>930N4: 28 W/m</td> <td>3640 lm/m</td> </tr> <tr> <td></td> <td>930N5: 35 W/m</td> <td>4500 lm/m</td> </tr> <tr> <td>4000°K</td> <td>940N2: 19 W/m</td> <td>2820 lm/m</td> </tr> <tr> <td></td> <td>940N4: 28 W/m</td> <td>3870 lm/m</td> </tr> <tr> <td></td> <td>940N5: 35 W/m</td> <td>4790 lm/m</td> </tr> </tbody> </table> | | LED Load | initial Lumen | 2700°K | 927N2: 19 W/m | 2480 lm/m | | 927N4: 28 W/m | 3410 lm/m | | 927N5: 35 W/m | 4220 lm/m | 3000°K | 930N2: 19 W/m | 2650 lm/m | | 930N4: 28 W/m | 3640 lm/m | | 930N5: 35 W/m | 4500 lm/m | 4000°K | 940N2: 19 W/m | 2820 lm/m | | 940N4: 28 W/m | 3870 lm/m | | 940N5: 35 W/m | 4790 lm/m | C Non-dimmable D DALI Dimmable E 1-10V Dimmable | <table border="1"> <thead> <tr> <th></th> <th>LED Load</th> <th>initial Lumen</th> </tr> </thead> <tbody> <tr> <td>2700°K</td> <td>O1: Opal 10 W/m</td> <td>1200 lm/m</td> </tr> <tr> <td></td> <td>O2: Opal 15 W/m</td> <td>1650 lm/m</td> </tr> <tr> <td></td> <td>O3: Opal 22 W/m</td> <td>2150 lm/m</td> </tr> <tr> <td>3000°K</td> <td>O1: Opal 10 W/m</td> <td>1350 lm/m</td> </tr> <tr> <td></td> <td>O2: Opal 15 W/m</td> <td>1900 lm/m</td> </tr> <tr> <td></td> <td>O3: Opal 22 W/m</td> <td>2550 lm/m</td> </tr> <tr> <td>4000°K</td> <td>O1: Opal 10 W/m</td> <td>1450 lm/m</td> </tr> <tr> <td></td> <td>O2: Opal 15 W/m</td> <td>2050 lm/m</td> </tr> <tr> <td></td> <td>O3: Opal 22 W/m</td> <td>2700 lm/m</td> </tr> </tbody> </table> | | LED Load | initial Lumen | 2700°K | O1: Opal 10 W/m | 1200 lm/m | | O2: Opal 15 W/m | 1650 lm/m | | O3: Opal 22 W/m | 2150 lm/m | 3000°K | O1: Opal 10 W/m | 1350 lm/m | | O2: Opal 15 W/m | 1900 lm/m | | O3: Opal 22 W/m | 2550 lm/m | 4000°K | O1: Opal 10 W/m | 1450 lm/m | | O2: Opal 15 W/m | 2050 lm/m | | O3: Opal 22 W/m | 2700 lm/m | BS Black Smooth BT Black Textured WS White Smooth WT White Textured GS Gray Smooth |
| | LED Load | initial Lumen | | | | | | | | | | | | | | | | | | | | | | | | | | | | | | | | | | | | | | | | | | | | | | | | | | | | | | | | | | | | | |
| 2700°K | 927N2: 19 W/m | 2480 lm/m | | | | | | | | | | | | | | | | | | | | | | | | | | | | | | | | | | | | | | | | | | | | | | | | | | | | | | | | | | | | | |
| | 927N4: 28 W/m | 3410 lm/m | | | | | | | | | | | | | | | | | | | | | | | | | | | | | | | | | | | | | | | | | | | | | | | | | | | | | | | | | | | | | |
| | 927N5: 35 W/m | 4220 lm/m | | | | | | | | | | | | | | | | | | | | | | | | | | | | | | | | | | | | | | | | | | | | | | | | | | | | | | | | | | | | | |
| 3000°K | 930N2: 19 W/m | 2650 lm/m | | | | | | | | | | | | | | | | | | | | | | | | | | | | | | | | | | | | | | | | | | | | | | | | | | | | | | | | | | | | | |
| | 930N4: 28 W/m | 3640 lm/m | | | | | | | | | | | | | | | | | | | | | | | | | | | | | | | | | | | | | | | | | | | | | | | | | | | | | | | | | | | | | |
| | 930N5: 35 W/m | 4500 lm/m | | | | | | | | | | | | | | | | | | | | | | | | | | | | | | | | | | | | | | | | | | | | | | | | | | | | | | | | | | | | | |
| 4000°K | 940N2: 19 W/m | 2820 lm/m | | | | | | | | | | | | | | | | | | | | | | | | | | | | | | | | | | | | | | | | | | | | | | | | | | | | | | | | | | | | | |
| | 940N4: 28 W/m | 3870 lm/m | | | | | | | | | | | | | | | | | | | | | | | | | | | | | | | | | | | | | | | | | | | | | | | | | | | | | | | | | | | | | |
| | 940N5: 35 W/m | 4790 lm/m | | | | | | | | | | | | | | | | | | | | | | | | | | | | | | | | | | | | | | | | | | | | | | | | | | | | | | | | | | | | | |
| | LED Load | initial Lumen | | | | | | | | | | | | | | | | | | | | | | | | | | | | | | | | | | | | | | | | | | | | | | | | | | | | | | | | | | | | | |
| 2700°K | O1: Opal 10 W/m | 1200 lm/m | | | | | | | | | | | | | | | | | | | | | | | | | | | | | | | | | | | | | | | | | | | | | | | | | | | | | | | | | | | | | |
| | O2: Opal 15 W/m | 1650 lm/m | | | | | | | | | | | | | | | | | | | | | | | | | | | | | | | | | | | | | | | | | | | | | | | | | | | | | | | | | | | | | |
| | O3: Opal 22 W/m | 2150 lm/m | | | | | | | | | | | | | | | | | | | | | | | | | | | | | | | | | | | | | | | | | | | | | | | | | | | | | | | | | | | | | |
| 3000°K | O1: Opal 10 W/m | 1350 lm/m | | | | | | | | | | | | | | | | | | | | | | | | | | | | | | | | | | | | | | | | | | | | | | | | | | | | | | | | | | | | | |
| | O2: Opal 15 W/m | 1900 lm/m | | | | | | | | | | | | | | | | | | | | | | | | | | | | | | | | | | | | | | | | | | | | | | | | | | | | | | | | | | | | | |
| | O3: Opal 22 W/m | 2550 lm/m | | | | | | | | | | | | | | | | | | | | | | | | | | | | | | | | | | | | | | | | | | | | | | | | | | | | | | | | | | | | | |
| 4000°K | O1: Opal 10 W/m | 1450 lm/m | | | | | | | | | | | | | | | | | | | | | | | | | | | | | | | | | | | | | | | | | | | | | | | | | | | | | | | | | | | | | |
| | O2: Opal 15 W/m | 2050 lm/m | | | | | | | | | | | | | | | | | | | | | | | | | | | | | | | | | | | | | | | | | | | | | | | | | | | | | | | | | | | | | |
| | O3: Opal 22 W/m | 2700 lm/m | | | | | | | | | | | | | | | | | | | | | | | | | | | | | | | | | | | | | | | | | | | | | | | | | | | | | | | | | | | | | |

| Emergency | Layout | Length | Wiring |
|----------------|----------|---|--|
| N No Emergency | II Shape | 60 60 cm 90 90 cm 120 120 cm 150 150 cm 180 180 cm 210 210 cm 240 240 cm 270 270 cm 300 300 cm | I Individual B Beginning M Middle E End |

We reserve the right to make technical changes without prior notice