

# LIGHTWAY 5 / ASYMMETRIC LENS PENDANT DIRECT / INDIRECT

The Lightway 5 Direct/Indirect linear system offers numerous combinations of optics and output options. A well-lit ceiling improves the look of the workspace without having to compromise on the efficiency. This Asymmetrical Lens offers powerful lighting and excellent light transmission with high diffusion and homogeneity while blocking the backward throw.

- Superior optical transmission with no visible LED hotspots. Homogeneous lighting over the side wall.
- Asymmetrical illumination for homogeneous adjacent wall lighting
- Great color mixing capability



## Luminaire

**Application:** Ambient  
**Body Material:** Extruded aluminium

## Optics

**Optic Type:** PMMA Asymmetrical Linear Lens  
**Surface Diffuser:** Acrylic Frosted Extruded TIR Lens

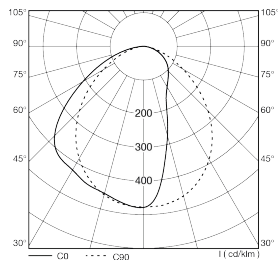
## Indirect Optic

**Indirect Optic Type:** PMMA Opal Lens

## Electrical equipment

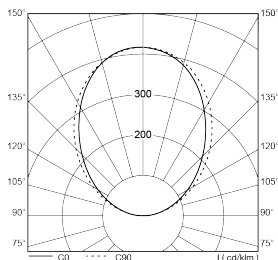
**Mains Voltage:** 220–240 VAC 50/60 Hz  
**Control Gear Efficacy:** > 85%

## Polar Curve

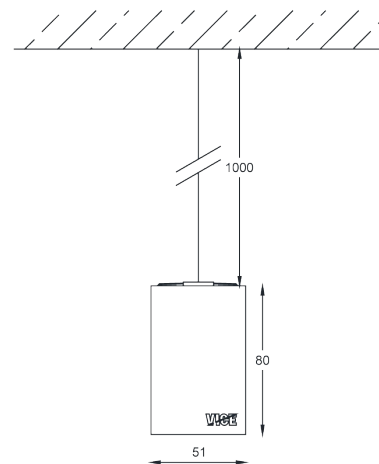
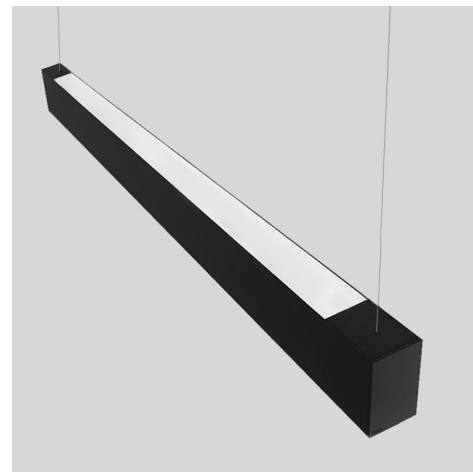


LOR: 62.31%

## Indirect Polar Curve



LOR: 77.8%



We reserve the right to make technical changes without prior notice

# LIGHTWAY 5 / ASYMMETRIC LENS

## PENDANT DIRECT / INDIRECT

### Code Index:

| <u>L 5</u> | <u>I</u>    | <u>P B</u> | <u>A L</u> | <u>X X</u> | -----           | -       | ---                      | ---         | <u>N</u>  | <u>I</u> | ---    | -      |
|------------|-------------|------------|------------|------------|-----------------|---------|--------------------------|-------------|-----------|----------|--------|--------|
| Family     | Environment | Mounting   | Optic      | Beam Angle | CRI/CCT & Power | Control | CRI/CCT & Power Indirect | Body Finish | Emergency | Layout   | Length | Wiring |
|            |             |            |            |            | 927L1           | C       | O1                       | BS          |           |          | 60     | I      |
|            |             |            |            |            | 927L2           | D       | O2                       | BT          |           |          | 90     | B      |
|            |             |            |            |            | 927L3           | E       | O3                       | WS          |           |          | 120    | M      |
|            |             |            |            |            | 927L4           |         |                          | WT          |           |          | 150    | E      |
|            |             |            |            |            | 927L5           |         |                          | GS          |           |          | 180    |        |
|            |             |            |            |            | 930L1           |         |                          |             |           |          | 210    |        |
|            |             |            |            |            | 930L2           |         |                          |             |           |          | 240    |        |
|            |             |            |            |            | 930L3           |         |                          |             |           |          | 270    |        |
|            |             |            |            |            | 930L4           |         |                          |             |           |          | 300    |        |
|            |             |            |            |            | 930L5           |         |                          |             |           |          |        |        |
|            |             |            |            |            | 940L1           |         |                          |             |           |          |        |        |
|            |             |            |            |            | 940L2           |         |                          |             |           |          |        |        |
|            |             |            |            |            | 940L3           |         |                          |             |           |          |        |        |
|            |             |            |            |            | 940L4           |         |                          |             |           |          |        |        |
|            |             |            |            |            | 940L5           |         |                          |             |           |          |        |        |
|            |             |            |            |            | 927O1           |         |                          |             |           |          |        |        |
|            |             |            |            |            | 927O2           |         |                          |             |           |          |        |        |
|            |             |            |            |            | 927O3           |         |                          |             |           |          |        |        |
|            |             |            |            |            | 930O1           |         |                          |             |           |          |        |        |
|            |             |            |            |            | 930O2           |         |                          |             |           |          |        |        |
|            |             |            |            |            | 930O3           |         |                          |             |           |          |        |        |
|            |             |            |            |            | 940O1           |         |                          |             |           |          |        |        |
|            |             |            |            |            | 940O2           |         |                          |             |           |          |        |        |
|            |             |            |            |            | 940O3           |         |                          |             |           |          |        |        |

| Family        | Environment | Mounting                     | Optic                | Beam Angle |
|---------------|-------------|------------------------------|----------------------|------------|
| L5 Lightway 5 | I Indoor    | PB Pendant Direct & Indirect | AL Asymmetrical Lens | XX N/A     |

| CRI/CCT & Power  | Control  | CRI/CCT & Power Indirect  | Body Finish   |
|--|--|---|---|
| <p>LED Load    initial Lumen</p> <p>2700°K<br/> <b>927L1:</b> 10 W/m    1200 lm/m<br/> <b>927L2:</b> 15 W/m    1650 lm/m<br/> <b>927L3:</b> 22 W/m    2150 lm/m<br/> <b>927L4:</b> 30 W/m    3250 lm/m</p> <hr/> <p>3000°K<br/> <b>930L1:</b> 10 W/m    1350 lm/m<br/> <b>930L2:</b> 15 W/m    1900 lm/m<br/> <b>930L3:</b> 22 W/m    2550 lm/m<br/> <b>930L4:</b> 30 W/m    3800 lm/m</p> <hr/> <p>4000°K<br/> <b>940L1:</b> 10 W/m    1450 lm/m<br/> <b>940L2:</b> 15 W/m    2050 lm/m<br/> <b>940L3:</b> 22 W/m    2700 lm/m<br/> <b>940L4:</b> 30 W/m    4050 lm/m</p> | <p>C Non-dimmable<br/> D DALI Dimmable<br/> E 1-10V Dimmable</p> | <p>LED Load    initial Lumen</p> <p>2700°K<br/> <b>O1:</b> Opal 10 W/m    1200 lm/m<br/> <b>O2:</b> Opal 15 W/m    1650 lm/m<br/> <b>O3:</b> Opal 22 W/m    2150 lm/m</p> <hr/> <p>3000°K<br/> <b>O1:</b> Opal 10 W/m    1350 lm/m<br/> <b>O2:</b> Opal 15 W/m    1900 lm/m<br/> <b>O3:</b> Opal 22 W/m    2550 lm/m</p> <hr/> <p>4000°K<br/> <b>O1:</b> Opal 10 W/m    1450 lm/m<br/> <b>O2:</b> Opal 15 W/m    2050 lm/m<br/> <b>O3:</b> Opal 22 W/m    2700 lm/m</p> | <p>BS Black Smooth<br/> BT Black Textured<br/> WS White Smooth<br/> WT White Textured<br/> GS Gray Smooth</p> |

| Emergency      | Layout    | Length  | Wiring   |
|----------------|-----------|---|--|
| N No Emergency | I I Shape | <b>60</b> 60 cm<br><b>90</b> 90 cm<br><b>120</b> 120 cm<br><b>150</b> 150 cm<br><b>180</b> 180 cm<br><b>210</b> 210 cm<br><b>240</b> 240 cm<br><b>270</b> 270 cm<br><b>300</b> 300 cm | I Individual<br>B Beginning<br>M Middle<br>E End |

We reserve the right to make technical changes without prior notice

