

LIGHTWAY 5 – OUTDOOR / WASHER BEAM

FLOOR FIXED BRACKET

The Lightway 5 Outdoor beam is developed for maximum performance in harsh environmental conditions. Made from extruded aluminum, this IP65 element benefits from a wide variety of outputs. The Beam compatible with a wide array of beam angles, generating a powerful overall lighting effect.

The fixture is available with an aluminum anti glare shield that gives control over the light for increased visual comfort.

- Diverse options of beam angles: very narrow, narrow, medium, wide and elliptic
- Delivers High levels of light
- Integrates with any architecture.



Luminaire

Application: Washer
Body Material: Extruded aluminium

Installation

Operating Temperature: -10 to 50°C

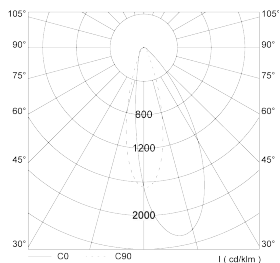
Optics

Optic Type: UV stabilized TIR Lens

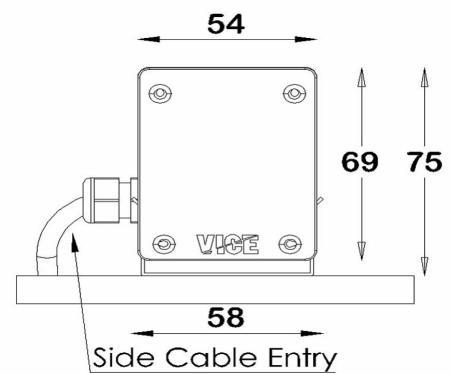
Electrical equipment

Mains Voltage: 220-240 VAC 50/60 Hz
Control Gear Efficacy: > 85%

Polar Curve



Asymmetrical / LOR: 68.9



We reserve the right to make technical changes without prior notice

LIGHTWAY 5 – OUTDOOR / WASHER BEAM FLOOR FIXED BRACKET

Code Index:

<u>L 5</u>	<u>O</u>	<u>F 1</u>	<u>X</u>	<u>W T</u>	<u>W 1</u>	-----	---	<u>6 6</u>	---	<u>S</u>	---	
Family	Environment	Mounting	Glare Control Accessory	Optic	Beam Angle	CRI/CCT & Power	Control	IP	Body Finish	Length	Feeding	Wiring
						927P1	C		B	60		I
						927P2	D		W	90		B
						927P3	E		G	120		M
						930P1						E
						930P2						
						930P3						
						940P1						
						940P2						
						940P3						

Family
L5 Lightway 5

Environment
O Outdoor

Mounting
F1 Floor Fixed Bracket

Glare Control Accessory
X N/A

Optic
WT Beam

Beam Angle
W1 Asymmetrical

CRI/CCT & Power	LED Load initial Lumen	
	W/ft	lm/ft
2700°K	927P1: 6 W/ft	510 lm/ft
	927P2: 9 W/ft	675 lm/ft
	927P3: 12.6 W/ft	900 lm/ft
3000°K	930P1: 6 W/ft	510 lm/ft
	930P2: 9 W/ft	720 lm/ft
	930P3: 12.6 W/ft	930 lm/ft
4000°K	940P1: 6 W/ft	570 lm/ft
	940P2: 9 W/ft	765 lm/ft
	940P3: 12.6 W/ft	990 lm/ft

Control
C Non-dimmable
D DALI Dimmable
E 1-10V Dimmable

IP
66 IP66

Body Finish
B Black
W White
G Gray

Length
60 60 cm
90 90 cm
120 120 cm

Feeding
S Side

Wiring
I Individual
B Beginning
M Middle
E End

We reserve the right to make technical changes without prior notice