

LIGHTWAY 6 / OPAL

PENDANT DIRECT / INDIRECT

The Lightway 6 Direct/Indirect linear system offers numerous combinations of optics and output options. A well-lit ceiling improves the look of the workspace without having to compromise on the efficiency.

The PMMA opal, for direct emission, offers powerful lighting and excellent light transmission with high diffusion and homogeneity.

- Superior optical transmission with no visible LED hotspots
- Wide, even levels of illumination
- High angle distribution to illuminate adjacent walls
- Great color mixing capability



Luminaire

Application: Ambient
Body Material: Extruded aluminium

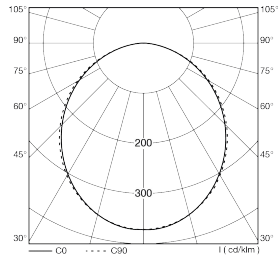
Optics

Surface Diffuser: Acrylic Opal Diffusing Lens

Electrical equipment

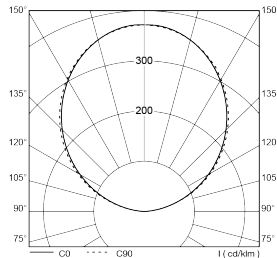
Mains Voltage: 220-240 VAC 50/60 Hz
Control Gear Efficacy: > 85%

Polar Curve

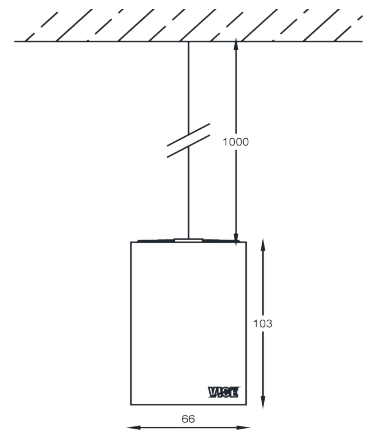
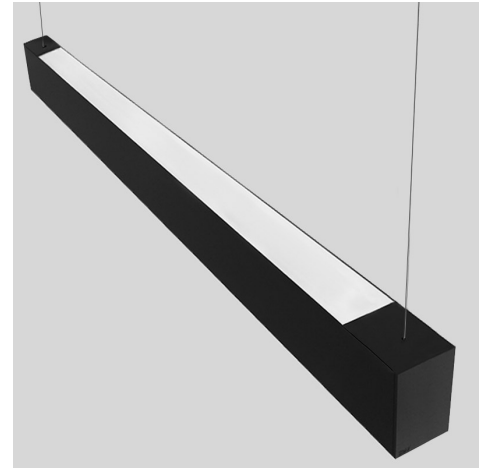


LOR: 74.8%

Indirect Polar Curve



LOR: 74.8%



We reserve the right to make technical changes without prior notice

LIGHTWAY 6 / OPAL

PENDANT DIRECT / INDIRECT

Code Index:

<u>L 6</u>	<u>I</u>	<u>P B</u>	<u>A O</u>	<u>X X</u>	-----	-	---	---	<u>N</u>	<u>I</u>	---	-
Family	Environment	Mounting	Optic	Beam Angle	CRI/CCT & Power	Control	CRI/CCT & Power Indirect	Body Finish	Emergency	Layout	Length	Wiring
					927L1	C	O1	BS			60	I
					927L2	D	O2	BT			90	B
					927L3	E	O3	WS			120	M
					927L4		B1	WT			150	E
					927L5		B2	GS			180	
					930L1		B3				210	
					930L2						240	
					930L3						270	
					930L4						300	
					930L5							
					940L1							
					940L2							
					940L3							
					940L4							
					940L5							
					9TWT1							
					9TWT2							
					9TWT3							

Family	Environment	Mounting	Optic	Beam Angle
L6 Lightway 6	I Indoor	PB Pendant Direct & Indirect	AO Opal Diffuser	XX N/A

CRI/CCT & Power			Control			CRI/CCT & Power Indirect			Body Finish		
	LED Load	initial Lumen	C Non-dimmable			LED Load	initial Lumen				
2700°K	927L1:	10 W/m	1200 lm/m	D DALI Dimmable	2700°K	O1:	Opal 10 W/m	1200 lm/m	BS Black Smooth		
	927L2:	15 W/m	1650 lm/m	D DALI Type 8		O2:	Opal 15 W/m	1650 lm/m	BT Black Textured		
	927L3:	22 W/m	2150 lm/m	E 1-10V Dimmable		O3:	Opal 22 W/m	2150 lm/m	WS White Smooth		
	927L4:	30 W/m	3250 lm/m		3000°K	O1:	Opal 10 W/m	1350 lm/m	WT White Textured		
	927L5:	42 W/m	4300 lm/m			O2:	Opal 15 W/m	1900 lm/m	GS Gray Smooth		
3000°K	930L1:	10 W/m	1350 lm/m		O3:	Opal 22 W/m	2550 lm/m				
	930L2:	15 W/m	1900 lm/m		4000°K	O1:	Opal 10 W/m	1450 lm/m			
	930L3:	22 W/m	2550 lm/m			O2:	Opal 15 W/m	2050 lm/m			
	930L4:	30 W/m	3800 lm/m		O3:	Opal 22 W/m	2700 lm/m				
	930L5:	42 W/m	5100 lm/m		Tunable White	O1:	Opal 10 W/m	1350 lm/m			
4000°K	940L1:	10 W/m	1450 lm/m			O2:	Opal 15 W/m	1850 lm/m			
	940L2:	15 W/m	2050 lm/m			O3:	Opal 22 W/m	2450 lm/m			
	940L3:	22 W/m	2700 lm/m		80-2700	O1:	Opal 10 W/m				
	940L4:	30 W/m	4050 lm/m			O2:	Opal 15 W/m				
	940L5:	42 W/m	5400 lm/m		O3:	Opal 22 W/m					
Tunable White	9TWT1:	10 W/m	1350 lm/m		80-3000	O1:	Opal 10 W/m				
	9TWT2:	15 W/m	1850 lm/m			O2:	Opal 15 W/m				
	9TWT3:	22 W/m	2450 lm/m		O3:	Opal 22 W/m					
80-2700	827L1:	10W/m	1770 lm/m		80-4000	O1:	Opal 10 W/m				
	827L2:	15W/m	2670 lm/m			O2:	Opal 15 W/m				
	827L3:	22W/m	3770 lm/m			O3:	Opal 22 W/m				
	827L4:	30W/m	4820 lm/m								
80-3000	830L1:	10W/m	1820 lm/m								
	830L2:	15W/m	2750 lm/m								
	830L3:	22W/m	3880 lm/m								
	830L4:	30W/m	4960 lm/m								
80-4000	840L1:	10W/m	1890 lm/m								
	840L2:	15W/m	2850 lm/m								
	840L3:	22W/m	4020 lm/m								
	840L4:	30W/m	5150 lm/m								

We reserve the right to make technical changes without prior notice

LIGHTWAY 6 / OPAL

PENDANT DIRECT / INDIRECT

Emergency

N No Emergency

Layout

II Shape

Length

60 60 cm

90 90 cm

120 120 cm

150 150 cm

180 180 cm

210 210 cm

240 240 cm

270 270 cm

300 300 cm

Wiring

I Individual

B Beginning

M Middle

E End

We reserve the right to make technical changes without prior notice