

LIGHTWAY 5 / PRISMATIC OPAL PENDANT DIRECT

The Lightway 5 Diamond-like Prism structure provides a glare reduction . This diffuser offers a very high light transmission making it ideal for workstations' applications: offices, libraries, classrooms, hospitals, etc.

- High efficiency luminaire: 70% LOR
- Homogeneous glare reduction in all C-levels



Luminaire

Application: Ambient
Body Material: Extruded aluminium

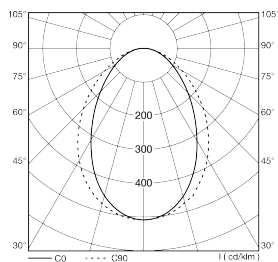
Optics

Optic Type: PMMA Prismatic
Glare Control Device: Diamond Prismatic Optic Structure
Surface Diffuser: Acrylic Clear Micro-diamond Prismatic Structure

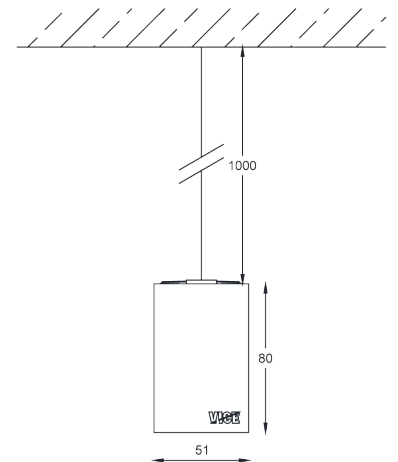
Electrical equipment

Mains Voltage: 220-240 VAC 50/60 Hz
Control Gear Efficacy: > 85%

Polar Curve



LOR: 62.2%



We reserve the right to make technical changes without prior notice

LIGHTWAY 5 / PRISMATIC OPAL PENDANT DIRECT

Code Index:

<u>L 5</u>	<u>I</u>	<u>P D</u>	<u>A D</u>	<u>X X</u>	-----	-	<u>2 0</u>	--	<u>N</u>	<u>I</u>	---	-
Family	Environment	Mounting	Optic	Beam Angle	CRI/CCT & Power	Control	IP	Body Finish	Emergency	Layout	Length	Wiring
					927L1	C		BS			60	I
					927L2	D		BT			90	B
					927L3	E		WS			120	M
					927L4			WT			150	E
					927L5			GS			180	
					930L1						210	
					930L2						240	
					930L3						270	
					930L4						300	
					930L5							
					940L1							
					940L2							
					940L3							
					940L4							
					940L5							
					9TWT1							
					9TWT2							
					9TWT3							

Family	Environment	Mounting	Optic	Beam Angle
L5 Lightway 5	I Indoor	PD Pendant Direct	AD Prismatic Opal	XX N/A

CRI/CCT & Power	Control	IP	Body Finish	Emergency
LED Load initial Lumen	C Non-dimmable	20 IP20	BS Black Smooth	N No Emergency
2700°K	D DALI Dimmable		BT Black Textured	
927L1: 10 W/m 1200 lm/m	D DALI Type 8		WS White Smooth	
927L2: 15 W/m 1650 lm/m	E 1-10V Dimmable		WT White Textured	
927L3: 22 W/m 2150 lm/m			GS Gray Smooth	
927L4: 30 W/m 3250 lm/m				
927L5: 42 W/m 4300 lm/m				
3000°K				
930L1: 10 W/m 1350 lm/m				
930L2: 15 W/m 1900 lm/m				
930L3: 22 W/m 2550 lm/m				
930L4: 30 W/m 3800 lm/m				
930L5: 42 W/m 5100 lm/m				
4000°K				
940L1: 10 W/m 1450 lm/m				
940L2: 15 W/m 2050 lm/m				
940L3: 22 W/m 2700 lm/m				
940L4: 30 W/m 4050 lm/m				
940L5: 42 W/m 5400 lm/m				
Tunable White				
9TWT1: 10 W/m 1350 lm/m				
9TWT2: 15 W/m 1850 lm/m				
9TWT3: 22 W/m 2450 lm/m				

Layout	Length	Wiring
II Shape	60 60 cm	I Individual
	90 90 cm	B Beginning
	120 120 cm	M Middle
	150 150 cm	E End
	180 180 cm	
	210 210 cm	
	240 240 cm	
	270 270 cm	
	300 300 cm	

We reserve the right to make technical changes without prior notice

LIGHTWAY 5 / PRISMATIC OPAL PENDANT DIRECT

Notes

IP40 is applicable only for the individual items, however for the continuous runs it will be IP20.

We reserve the right to make technical changes without prior notice