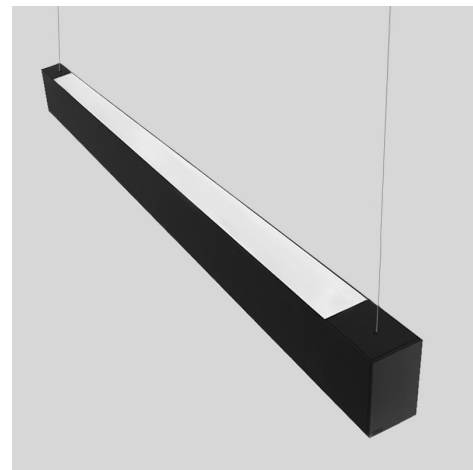


LIGHTWAY 5 / ASYMMETRIC LENS PENDANT DIRECT / INDIRECT

The Lightway 5 Direct/Indirect linear system offers numerous combinations of optics and output options. A well-lit ceiling improves the look of the workspace without having to compromise on the efficiency. This Asymmetrical Lens offers powerful lighting and excellent light transmission with high diffusion and homogeneity while blocking the backward throw.

- Superior optical transmission with no visible LED hotspots. Homogeneous lighting over the side wall.
- Asymmetrical illumination for homogeneous adjacent wall lighting
- Great color mixing capability



Luminaire

Application: Ambient
Body Material: Extruded aluminium

Optics

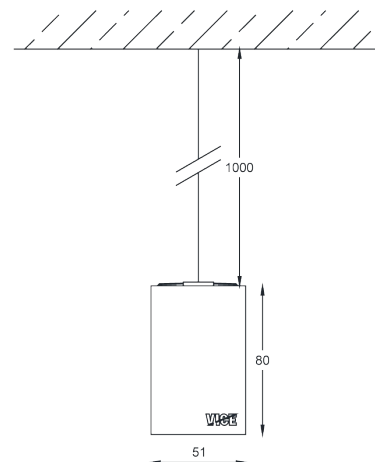
Optic Type: PMMA Asymmetrical Linear Lens
Surface Diffuser: Acrylic Frosted Extruded TIR Lens

Indirect Optic

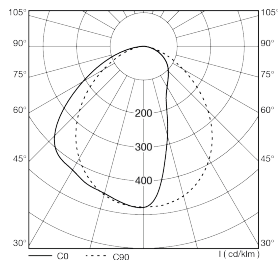
Indirect Optic Type: PMMA Opal Lens

Electrical equipment

Mains Voltage: 220–240 VAC 50/60 Hz
Control Gear Efficacy: > 85%

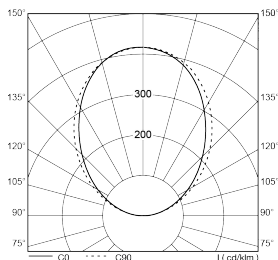


Polar Curve



LOR: 62.31%

Indirect Polar Curve



LOR: 77.8%

We reserve the right to make technical changes without prior notice

LIGHTWAY 5 / ASYMMETRIC LENS

PENDANT DIRECT / INDIRECT

Code Index:

<u>L 5</u>	<u>I</u>	<u>P B</u>	<u>A L</u>	<u>X X</u>	-----	-	---	---	<u>N</u>	<u>I</u>	---	-
Family	Environment	Mounting	Optic	Beam Angle	CRI/CCT & Power	Control	CRI/CCT & Power Indirect	Body Finish	Emergency	Layout	Length	Wiring
					927L1	C	O1	BS			60	I
					927L2	D	O2	BT			90	B
					927L3	E	O3	WS			120	M
					927L4			WT			150	E
					927L5			GS			180	
					930L1						210	
					930L2						240	
					930L3						270	
					930L4						300	
					930L5							
					940L1							
					940L2							
					940L3							
					940L4							
					940L5							
					927O1							
					927O2							
					927O3							
					930O1							
					930O2							
					930O3							
					940O1							
					940O2							
					940O3							

Family	Environment	Mounting	Optic	Beam Angle
L5 Lightway 5	I Indoor	PB Pendant Direct & Indirect	AL Asymmetrical Lens	XX N/A

CRI/CCT & Power	Control	CRI/CCT & Power Indirect	Body Finish
<p>LED Load initial Lumen</p> <p>2700°K 927L1: 10 W/m 1200 lm/m 927L2: 15 W/m 1650 lm/m 927L3: 22 W/m 2150 lm/m 927L4: 30 W/m 3250 lm/m</p> <hr/> <p>3000°K 930L1: 10 W/m 1350 lm/m 930L2: 15 W/m 1900 lm/m 930L3: 22 W/m 2550 lm/m 930L4: 30 W/m 3800 lm/m</p> <hr/> <p>4000°K 940L1: 10 W/m 1450 lm/m 940L2: 15 W/m 2050 lm/m 940L3: 22 W/m 2700 lm/m 940L4: 30 W/m 4050 lm/m</p>	<p>C Non-dimmable D DALI Dimmable E 1-10V Dimmable</p>	<p>LED Load initial Lumen</p> <p>2700°K O1: Opal 10 W/m 1200 lm/m O2: Opal 15 W/m 1650 lm/m O3: Opal 22 W/m 2150 lm/m</p> <hr/> <p>3000°K O1: Opal 10 W/m 1350 lm/m O2: Opal 15 W/m 1900 lm/m O3: Opal 22 W/m 2550 lm/m</p> <hr/> <p>4000°K O1: Opal 10 W/m 1450 lm/m O2: Opal 15 W/m 2050 lm/m O3: Opal 22 W/m 2700 lm/m</p>	<p>BS Black Smooth BT Black Textured WS White Smooth WT White Textured GS Gray Smooth</p>

Emergency	Layout	Length	Wiring
N No Emergency	II Shape	60 60 cm 90 90 cm 120 120 cm 150 150 cm 180 180 cm 210 210 cm 240 240 cm 270 270 cm 300 300 cm	I Individual B Beginning M Middle E End

We reserve the right to make technical changes without prior notice

