

LIGHTWAY 5 – OUTDOOR / GRAZING BAFFLES

EXTENDED ADJUSTABLE BRACKET

The Lightway 5 outdoor grazing baffles is developed for maximum performance in harsh environmental conditions. Made from extruded aluminum, this IP65 element benefits from specially-designed aluminum optics totally glare free from both the longitudinal and transversal sides of the profile, achieving a powerful effect while emphasizing rough-textured surfaces of great height.

- Best-in-class vertical surface grazing, Scallop-free lighting from zero start point of vertical surfaces
- Glare-free in both longitudinal and transversal sides
- 5 to 10cm from edge of fixture to surface of the wall depending on its height and surface.
- Use of continuous fixtures to within 10cm of side walls – Integrates with any architecture.



Luminaire

Application: Grazer
Body Material: Extruded aluminium

Installation

Operating Temperature: -10 to 50°C

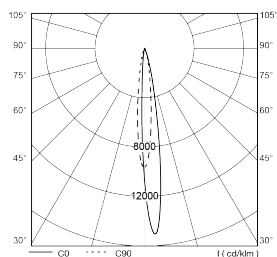
Optics

Optic Type: UV stabilized TIR Lens
Glare Control Device: Aluminium Anti-Glare Baffles

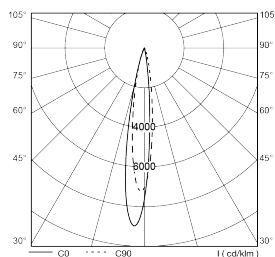
Electrical equipment

Mains Voltage: 220-240 VAC 50/60 Hz
Control Gear Efficacy: > 85%

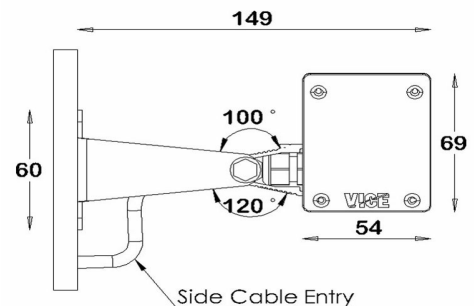
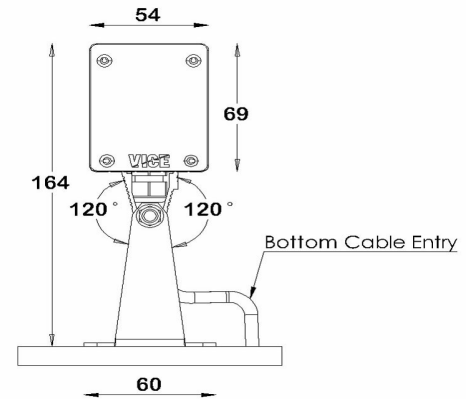
Polar Curve



Narrow Beam, 8° /
LOR: 35.5%



Narrow Beam, 15°
/ LOR: 30.0%



We reserve the right to make technical changes without prior notice

LIGHTWAY 5 – OUTDOOR / GRAZING BAFFLES

EXTENDED ADJUSTABLE BRACKET

Code Index:

Family	Environment	Mounting	Glare Control	Accessory	Optic	Beam Angle	CRI/CCT & Power	Control	IP	Body Finish	Length	Feeding	Wiring
L 5	O	S 2	X						6 6				
			GB		GB	08	927P1	C		B	30	B	I
			GG		GG	15	927P2	D		W	60	S	B
			GW		GW		927P3	E		G	90		M
							930P1				120		E
							930P2						
							930P3						
							940P1						
							940P2						
							940P3						

Family L5 Lightway 5	Environment O Outdoor	Mounting S2 Extended Adjustable bracket	Glare Control Accessory X N/A	Optic GB Black Grazing Baffles GG Gray Grazing Baffles GW White Grazing Baffles
--------------------------------	---------------------------------	---	--	---

Beam Angle 08 Narrow Beam, 8° 15 Narrow Beam, 15°	CRI/CCT & Power LED Load initial Lumen 2700°K 927P1: 6 W/ft 510 lm/ft 927P2: 9 W/ft 675 lm/ft 927P3: 12.6 W/ft 900 lm/ft <hr/> 3000°K 930P1: 6 W/ft 510 lm/ft 930P2: 9 W/ft 720 lm/ft 930P3: 12.6 W/ft 930 lm/ft <hr/> 4000°K 940P1: 6 W/ft 570 lm/ft 940P2: 9 W/ft 765 lm/ft 940P3: 12.6 W/ft 990 lm/ft	Control C Non-dimmable D DALI Dimmable E 1-10V Dimmable	IP 66 IP66	Body Finish B Black W White G Gray
--	--	---	----------------------	--

Length 30 30 cm 60 60 cm 90 90 cm 120 120 cm	Feeding B Bottom S Side	Wiring I Individual B Beginning M Middle E End
---	--------------------------------------	---

We reserve the right to make technical changes without prior notice