

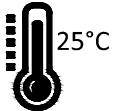
## Product Installation guide



For Indoor use only



DON'T TOUCH THE LED !



RECOMMENDED ROOM TEMPERATURE



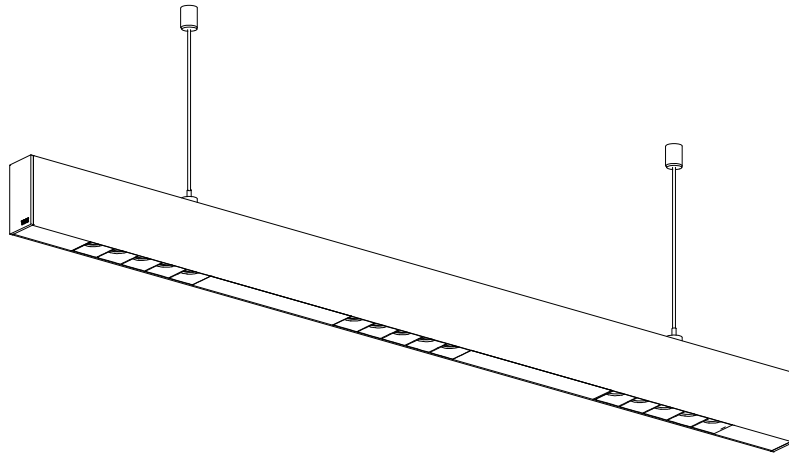
MAKE SURE THE POWER IS OFF DURING INSTALLATION



220-240V~  
50/60 Hz



RISK OF FIRE AND ELECTRICAL SHOCK



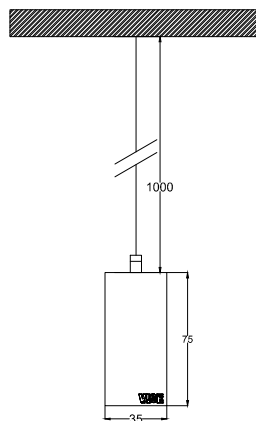
## INSTALLATION INSTRUCTIONS

## DISCLAIMER

Please read all instructions before beginning installation:

1. Turn off electrical power before starting the installation of the light fixture.
2. The feeding voltage must not exceed the specified fixture voltage.
3. This product must be installed by an eligible electrician.
4. Make sure the luminaire is mounted to a secure structure. Mounting the fixture in inappropriate way could lead to serious injury.
5. This luminaire is class 1, it must be earthed in a reliable way.
6. The light source of this luminaire shall only be replaced by the manufacturer, his service agent or a similar qualified person.
7. Wear gloves and safety glasses at all times when removing the luminaire from carton, installing, servicing or performing maintenance
8. Do not install damaged product! This luminaire is properly packed to avoid being damaged during transit. Inspect to confirm before installation. Any damaged or broken part during or after assembly should be replaced.
9. Unauthorized repairs or modifications will void warranty.

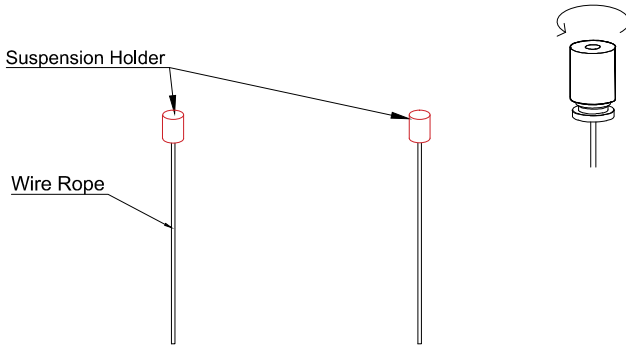
### Section View:



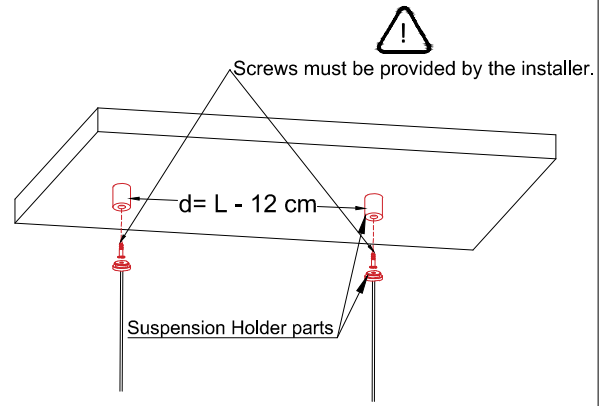
Dimensions in mm

## Product Installation guide

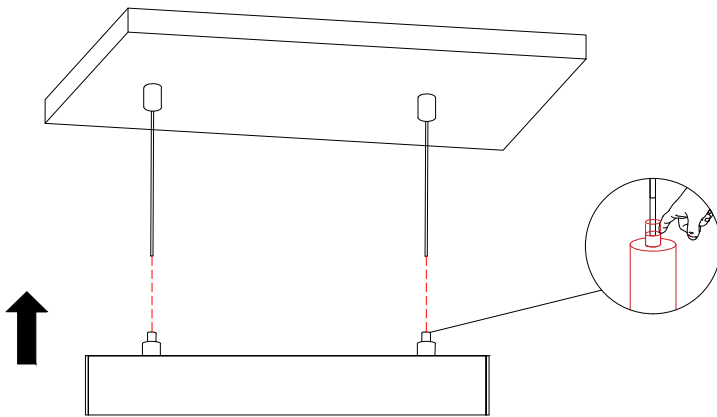
### For Individual Fixture



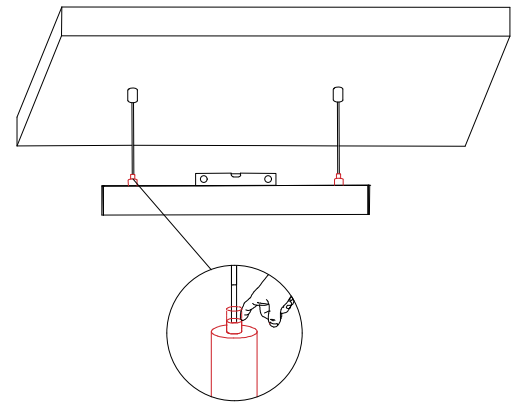
1 Dismantle the suspension holder from the wire rope.



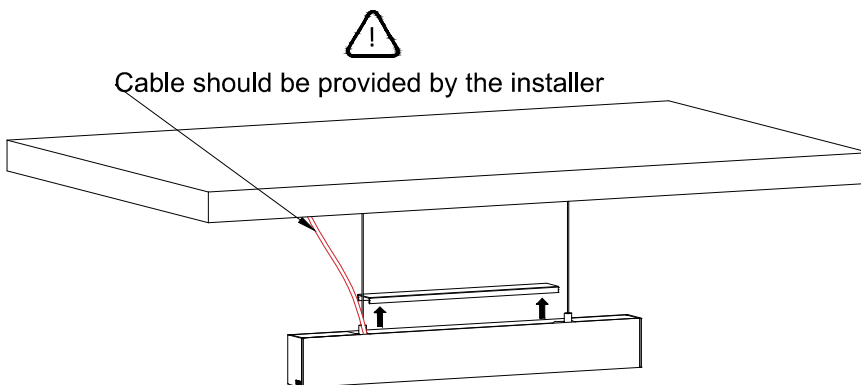
- 2 Screw the suspension holder to the ceiling .
- 3 Tighten both parts of the holder together .



4 Lift the profile than insert the wire rope in the gripper.



5 Press and hold the gripper of the lower part of the suspension to fix the aircraft cable in place. Make sure the fixture is straight before cutting the excess aircraft cable.



- 6
- Remove the Cover from the back of the profile.
  - Connect the Cable in the Terminal Block.
  - Clip the Cover back in its place.

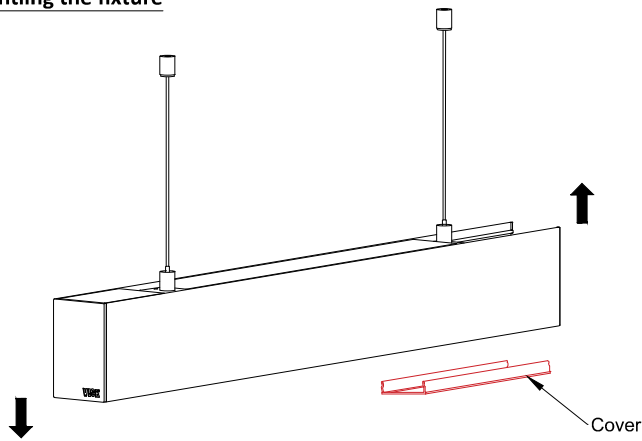
Terminal Block Connection	
Non Dimmable	
	L - Line ⊕ - Earth N - Neutral
DALI Dimmable	
3 - Line N - Neutral ⊕ - Earth	
1 - DALI 2 - DALI	
1-10V Dimmable	
L - Line ⊕ - Earth N - Neutral	
	DIM + DIM -

### For Continuous Fixture

#### Dismantling the fixture



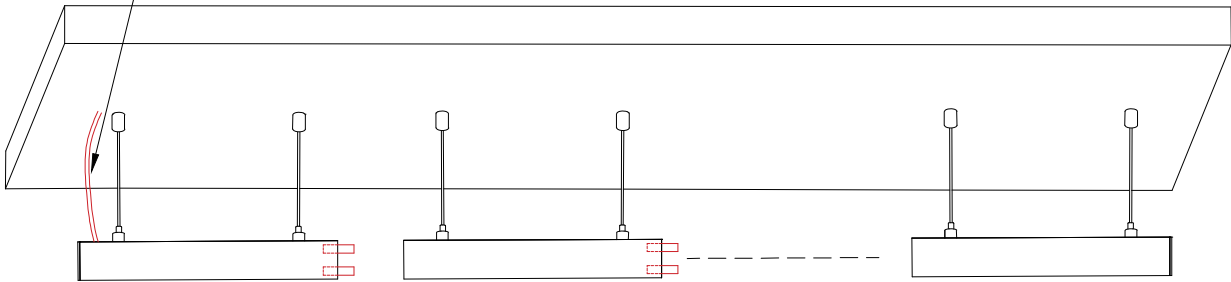
Handle and store the Components in a safe place.



- 1 Remove the Cover.

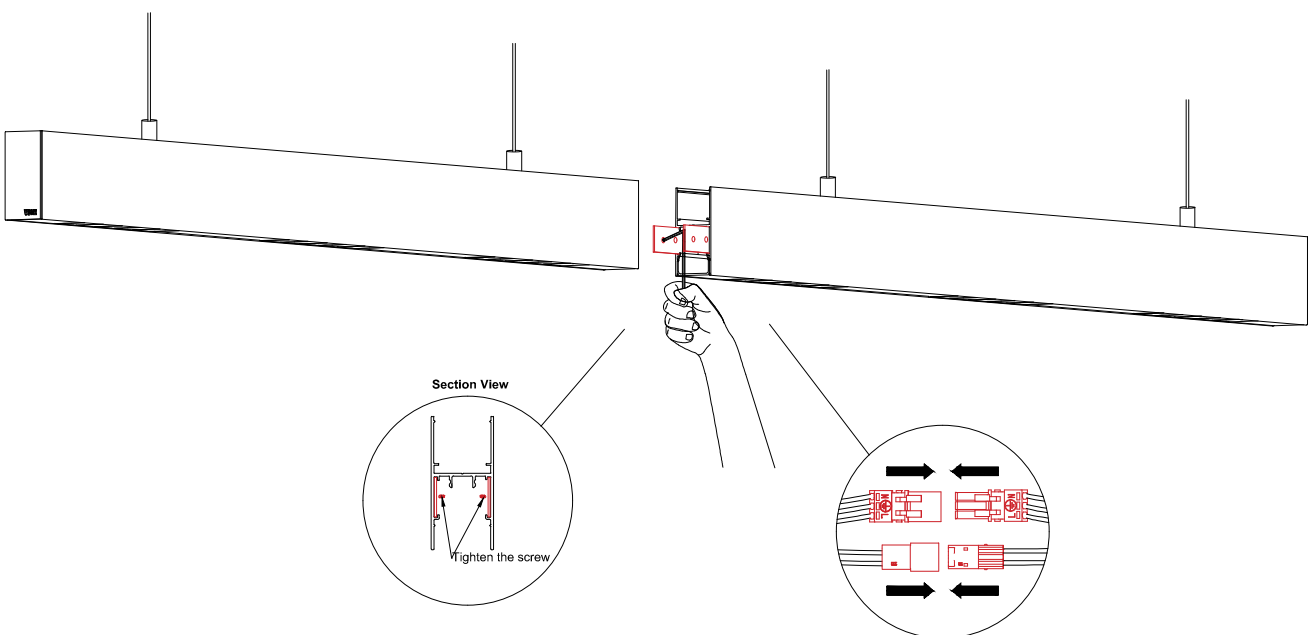


Cable should be provided by the installer



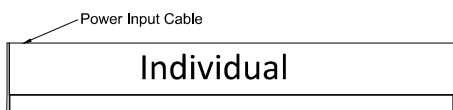
- 2 Fix the fixtures to ceiling as shown in page 2.

#### Between two Fixtures



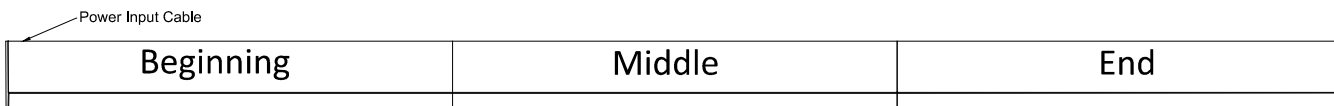
- 3 Slide the alignment bracket between the two fixtures and screws it.
- 4 Join the electrical /control connectors together.

## Annexe A



\*Code Example:

L3 I PD DL ----- | 120 **I** (Individual)  
L3 I PD DL ----- | 120 **B** (Beginning)  
L3 I PD DL ----- | 120 **M** (Middle)  
L3 I PD DL ----- | 120 **E** (End)



\*Do NOT exceed 1000W on a single feeding input.