

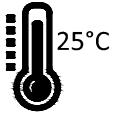
Product Installation guide



For Indoor use only



DON'T TOUCH THE LED !



RECOMMENDED ROOM TEMPERATURE



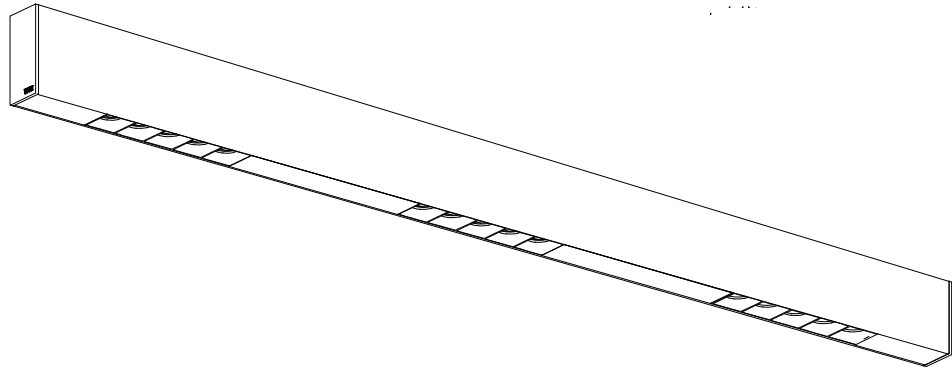
MAKE SURE THE POWER IS OFF DURING INSTALLATION



220-240V~
50/60 Hz



RISK OF FIRE AND ELECTRICAL SHOCK



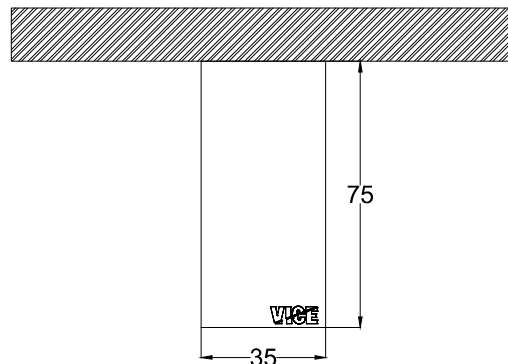
INSTALLATION INSTRUCTIONS

DISCLAIMER

Please read all instructions before beginning installation:

1. Turn off electrical power before starting the installation of the light fixture.
2. The feeding voltage must not exceed the specified fixture voltage.
3. This product must be installed by an eligible electrician.
4. Make sure the luminaire is mounted to a secure structure. Mounting the fixture in inappropriate way could lead to serious injury.
5. This luminaire is class 1, it must be earthed in a reliable way.
6. The light source of this luminaire shall only be replaced by the manufacturer, his service agent or a similar qualified person.
7. Wear gloves and safety glasses at all times when removing the luminaire from carton, installing, servicing or performing maintenance
8. Do not install damaged product! This luminaire is properly packed to avoid being damaged during transit. Inspect to confirm before installation. Any damaged or broken part during or after assembly should be replaced.
9. Unauthorized repairs or modifications will void warranty.

Section View:

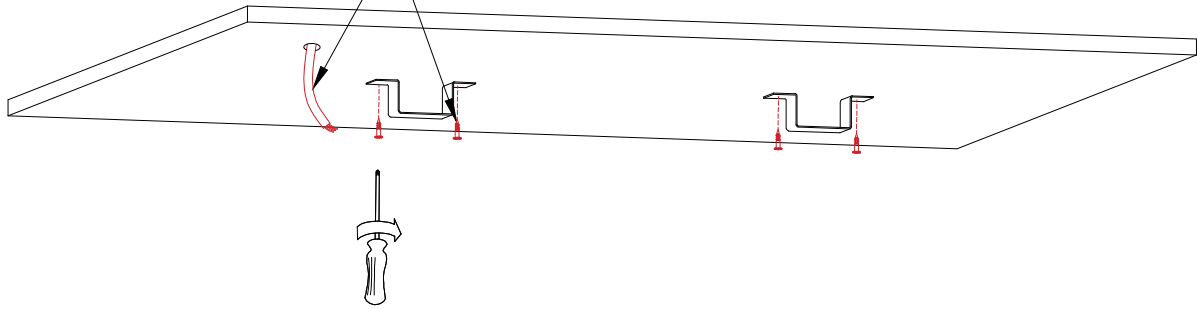


Dimensions in mm

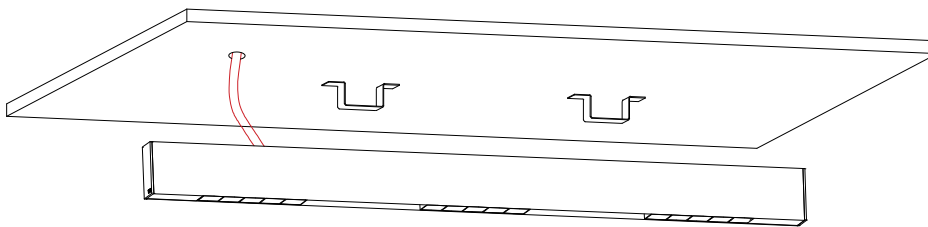
For Individual Fixture

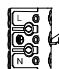
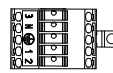
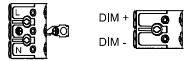


Cable and screws should be provided by the installer



- 1 Fix the Brackets to the ceiling following the table of lengths.

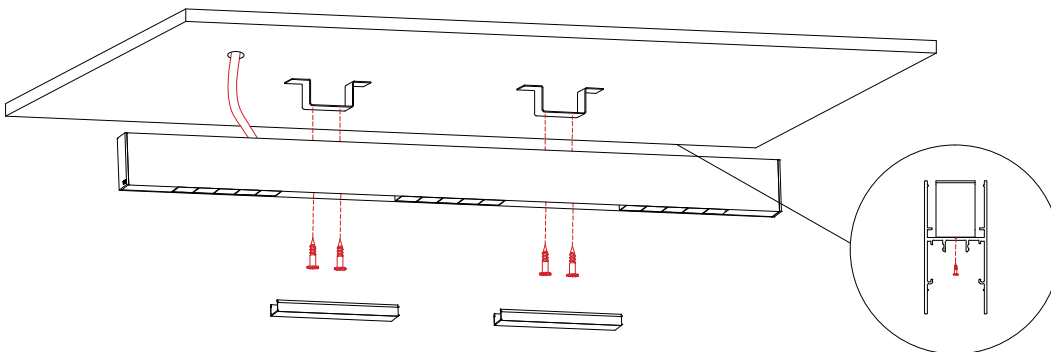


Terminal Block Connection	
Non Dimmable	
	L - Line N - Neutral Earth
DALI Dimmable	
3 - Line N - Neutral Earth 1 - DALI 2 - DALI	
1-10V Dimmable	
L - Line Earth N - Neutral	

- 2 • Connect the Cable to the Terminal Block.

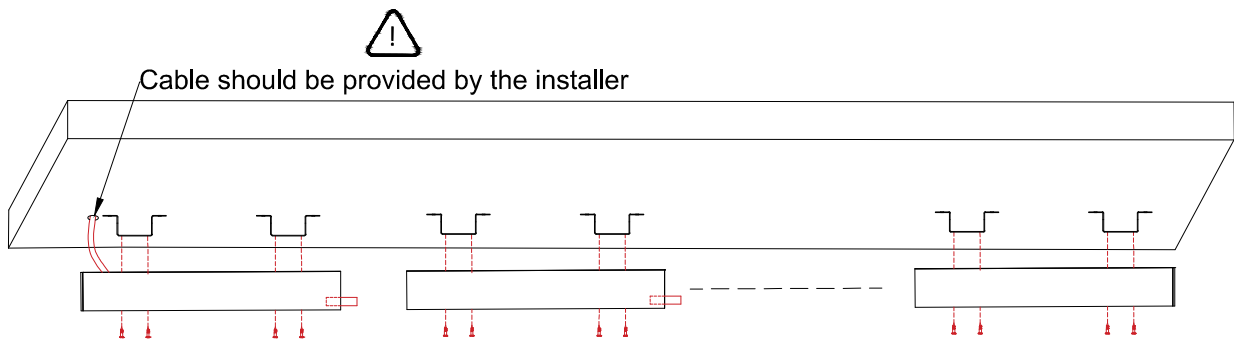


Handle and store the Components in a safe place.



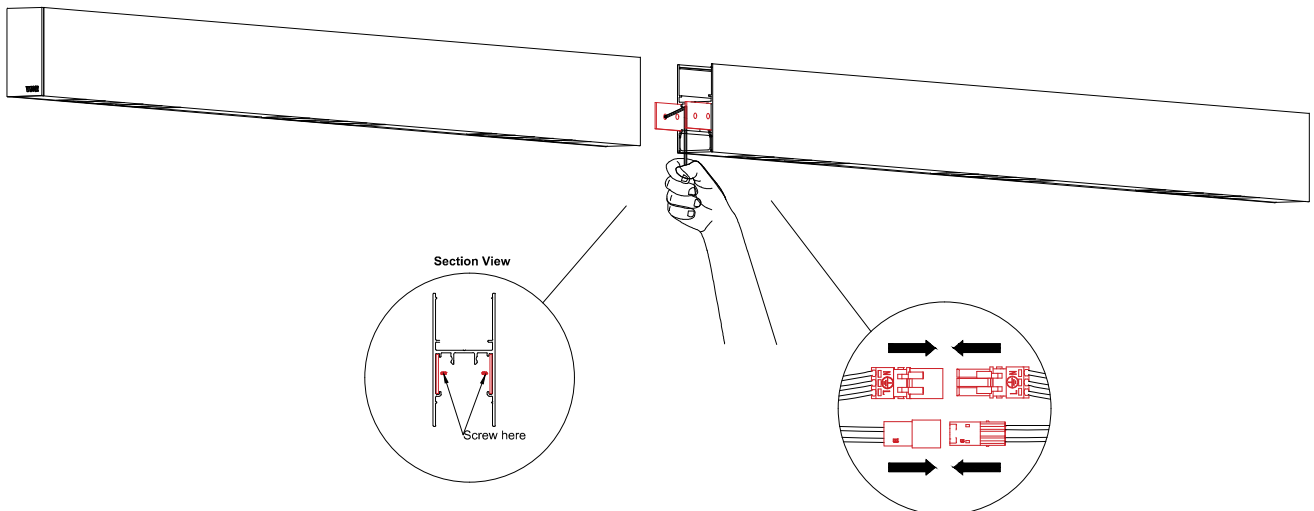
- 3 • Screw the profile to the bracket using provided screws.
• Clip the cover back in its place.

For Continuous Fixture



2 Fix the fixtures to ceiling as shown in page 2.

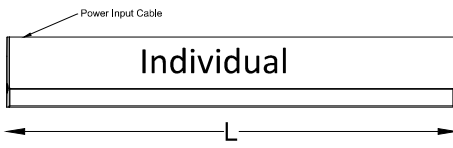
Between two Fixtures



3 Slide the alignment bracket between the two fixtures and screws it.

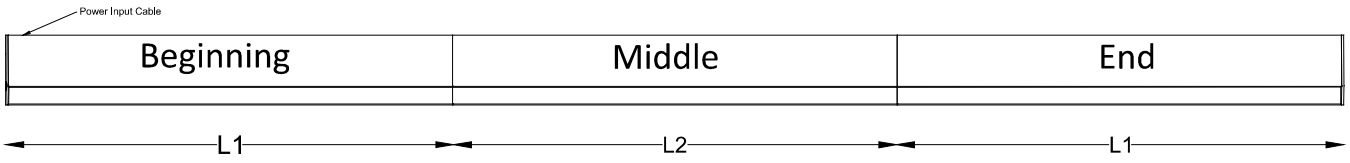
4 Join the electrical /control connectors together.

Annexe A



*Code Example:

L3 I SM DL ----- | 120 I (Individual)
L3 I SM DL ----- | 120 B (Beginning)
L3 I SM DL ----- | 120 M (Middle)
L3 I SM DL ----- | 120 E (End)



*Do NOT exceed 1000W on a single feeding input.