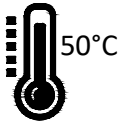


LIGHTWAY 5 OUTDOOR

Product Installation guide

IP66



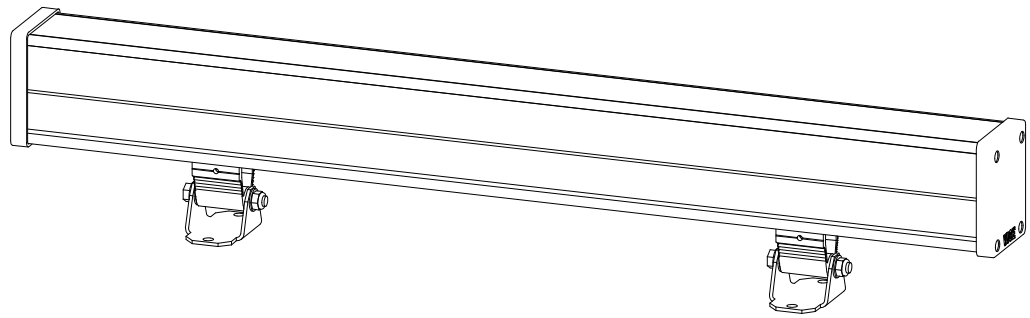
50°C
WORKING
TEMPERATURE



MAKE SURE THE POWER
IS OFF DURING INSTALLATION



Class 3
48 VDC input

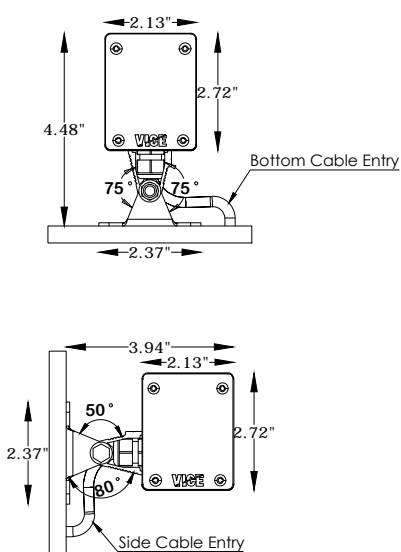


INSTALLATION INSTRUCTIONS

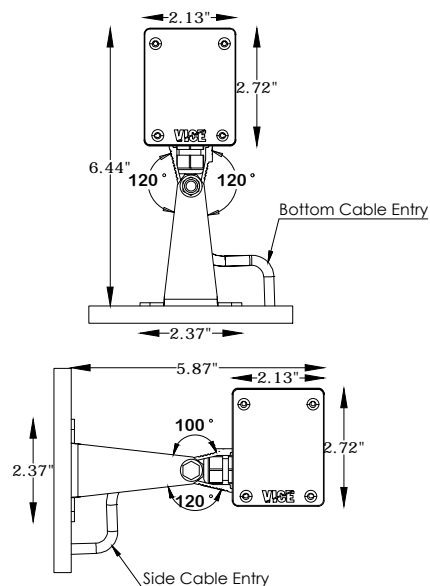
DISCLAIMER

1. Turn off electrical power before starting the installation of the light fixture.
2. The feeding voltage must not exceed the specified fixture voltage.
3. This product must be installed by an eligible electrician.
4. Make sure the luminaire is mounted to a secure structure. Failure to mount the fixture correctly could result in serious injury.
5. The light source of this is not replaceable, when light source reaches the end of life the whole luminaire shall be replaced.
6. Wear gloves and safety glasses at all times when removing the luminaire from carton, installing, servicing or performing maintenance.
7. Do not install damaged product! This luminaire is properly packed to avoid being damaged during transit. Inspect to confirm before installation. Any damaged or broken part during or after assembly should be replaced.
8. Unauthorized repairs or modifications will void warranty.

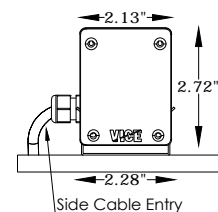
Adjustable Brackets



Extended Adjustable Brackets



Floor Fixed Brackets



Dimensions in inch.

VICE

