

## Product Installation guide

IP67



50°C

RECOMMENDED  
OPERATION TEMPERATURE



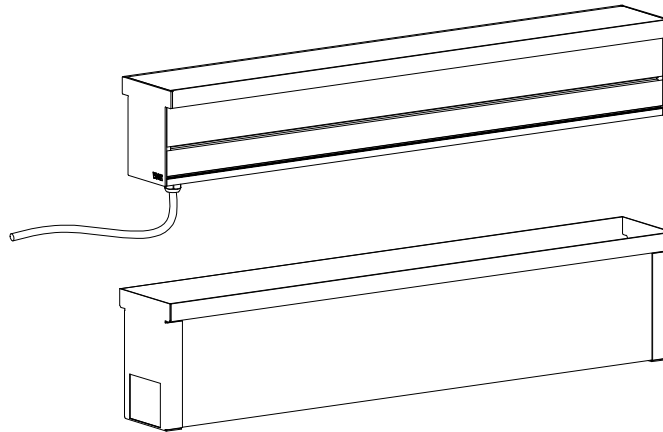
MAKE SURE THE POWER  
IS OFF DURING INSTALLATION



120-277V~  
50/60 Hz



RISK OF FIRE AND  
ELECTRICAL SHOCK



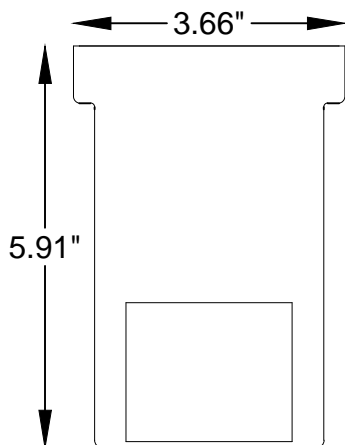
## INSTALLATION INSTRUCTIONS

## DISCLAIMER

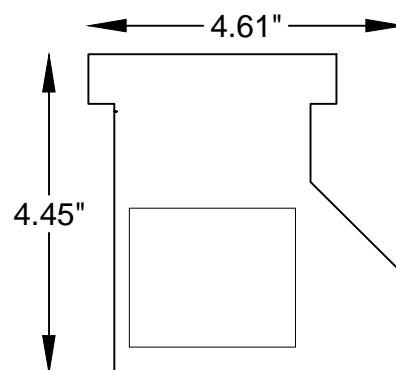
Please read all instructions before beginning installation:

1. Turn off electrical power before starting the installation of the light fixture.
2. The feeding voltage must not exceed the specified fixture voltage.
3. This product must be installed by an eligible electrician.
4. Make sure the luminaire is mounted to a secure structure. Mounting the fixture in inappropriate way could lead to serious injury.
5. This luminaire is class 1, it must be earthed in a reliable way.
6. Wear gloves and safety glasses at all times when removing the luminaire from carton, installing, servicing or performing maintenance
7. Do not install damaged product! This luminaire is properly packed to avoid being damaged during transit. Inspect to confirm before installation. Any damaged or broken part during or after assembly should be replaced.
8. Unauthorized repairs or modifications will void warranty.

### Section View:



Inground Deep



Inground Shallow

Dimensions in inch

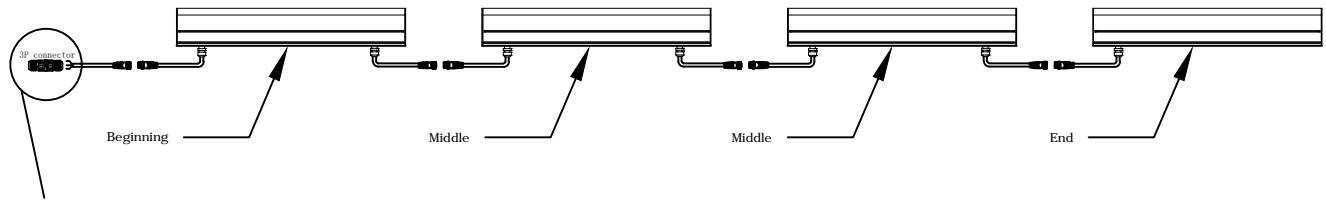




## Product Installation guide

### Electrical Wiring for continuous run

For Non Dimmable



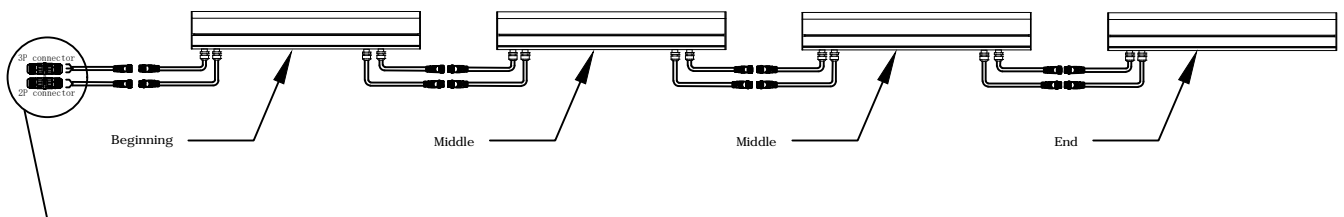
Black :Line  
White : Neutral  
Green : Ground



Do not exceed 450W per feeding.

### Electrical Wiring for continuous run

For DALI or 0/1-10V Dimmable



Black :Line  
White : Neutral  
Green : Ground



White : DIM +  
Black : DIM -



Do not exceed 450W per feeding.