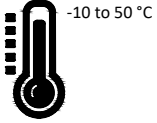


## Product Installation guide

IP67



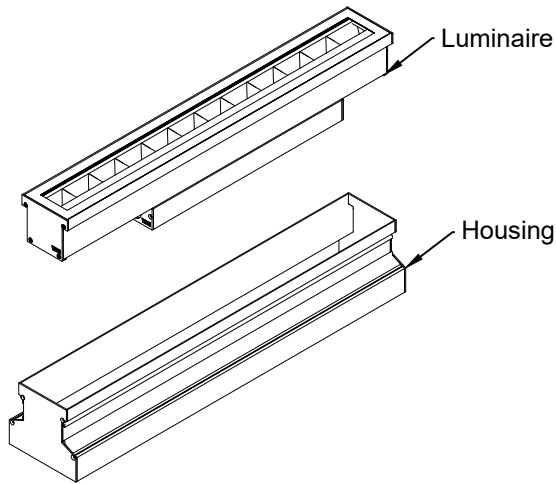
WORKING TEMPERATURE



MAKE SURE THE POWER IS OFF DURING INSTALLATION



Class 3  
48 VDC input

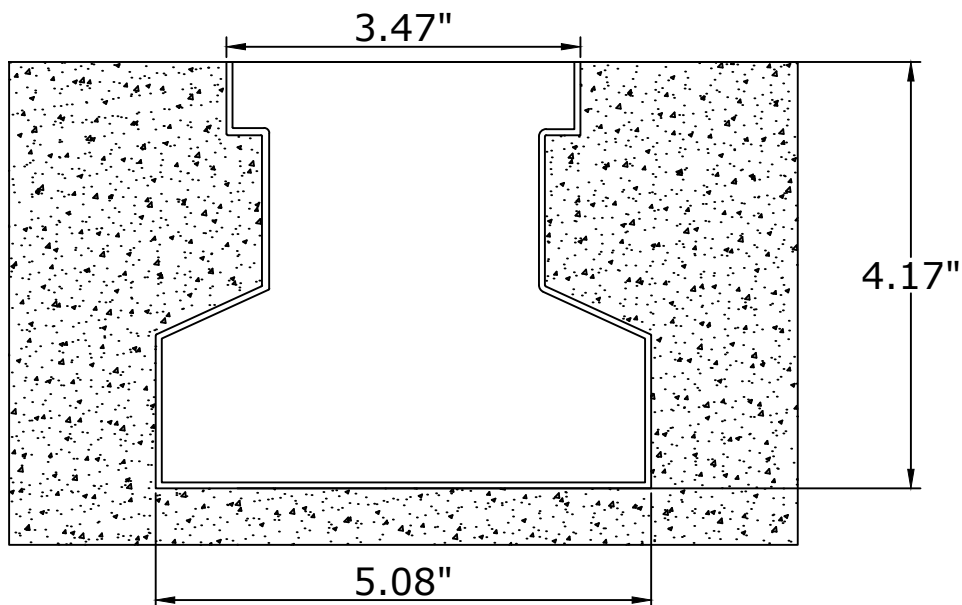


## INSTALLATION INSTRUCTIONS

## DISCLAIMER

1. Turn off electrical power before starting the installation of the light fixture.
2. The feeding voltage must not exceed the specified fixture voltage.
3. This product must be installed by an eligible electrician.
4. Make sure the luminaire is mounted to a secure structure. Failure to mount the fixture correctly could result in serious injury.
5. The light source of this is not replaceable, When light source reach the end of life the whole luminaire shall be replaced
6. Wear gloves and safety glasses at all times when removing the luminaire from carton, installing, servicing or performing maintenance
7. Do not install damaged product! This luminaire is properly packed to avoid being damaged during transit. Inspect to confirm before installation. Any damaged or broken part during or after assembly should be replaced.
8. Unauthorized repairs or modifications will void warranty.

### Section View:

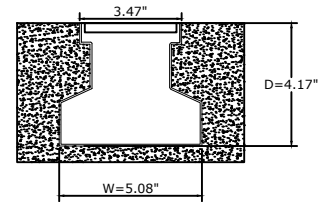
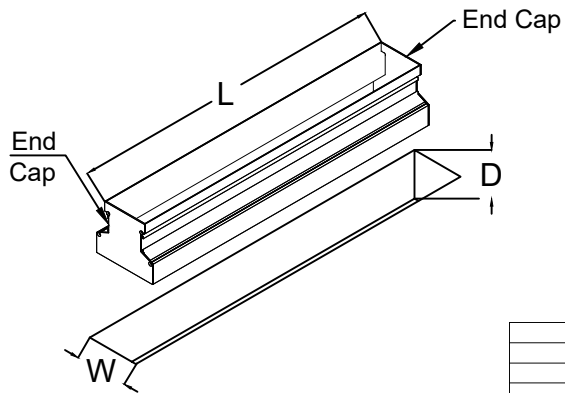


Dimensions in Inch

## Product Installation guide

### 1. Make a hole in the ground as per the following table

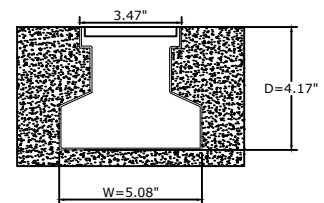
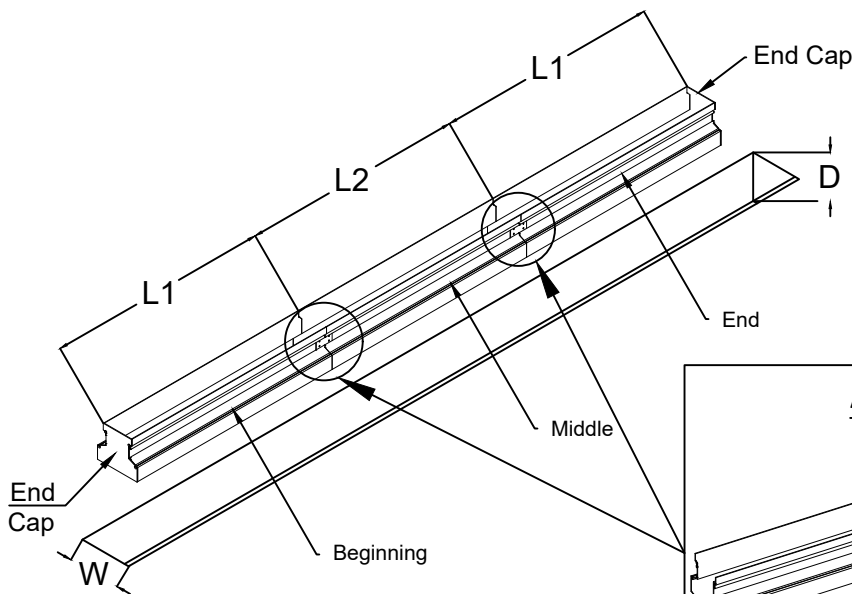
#### Individual Fixture



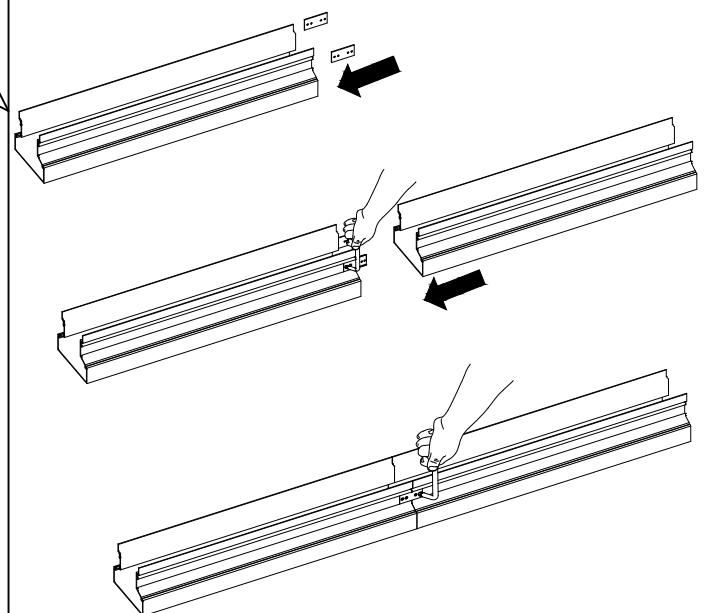
Housing	Length=L
12	12 ±0.04 Inch
24	24 ±0.04 Inch
36	36 ±0.04 Inch
48	47 ±0.04 Inch

\*Housing for individual fixtures have 2 end caps

#### Continuous Run



#### Alignment bracket installation



Housing	Length=L1	Length=L2
12	11 ±0.04 Inch	10 ±0.04 Inch
24	23 ±0.04 Inch	21 ±0.04 Inch
36	34 ±0.04 Inch	33 ±0.04 Inch
48	46 ±0.04 Inch	44 ±0.04 Inch

\*Housing for beginning and end fixtures have 1 end cap

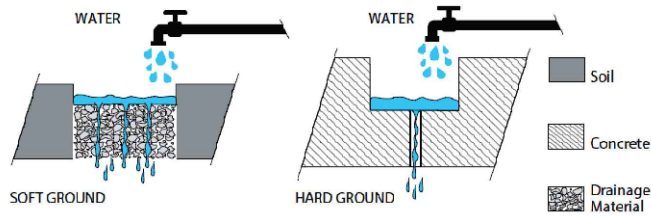
\*Housing for middle fixtures doesn't have end caps

## Product Installation guide

### 2. Prepare water drainage system

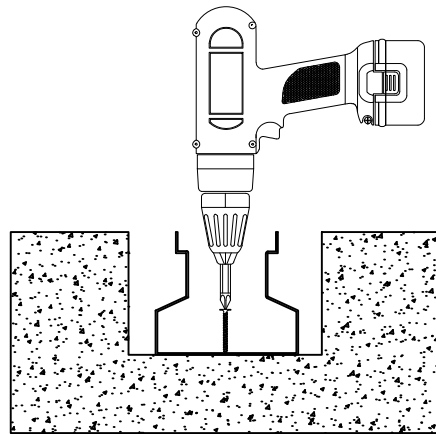
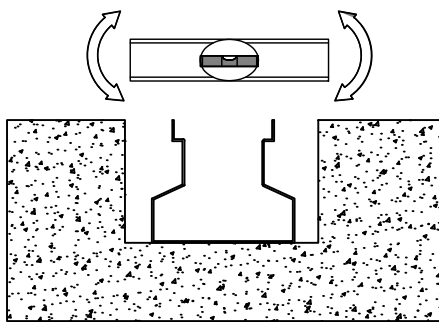
A proper water drainage system is required with a minimum rate of 0.08 GAL (0.33 Liter) per minute per meter as shown below:

Length	Minimum Drainage Rate
1 ft (30cm)	0.026 gal/min (0.1 l/min)
2 ft (60cm)	0.053 gal/min (0.2 l/min)
3 ft (90 cm)	0.079 gal/min (0.3 l/min)
4 ft (120 cm)	0.105 gal/min (0.4 l/min)
5 ft (150 cm)	0.132 gal/min (0.5 l/min)

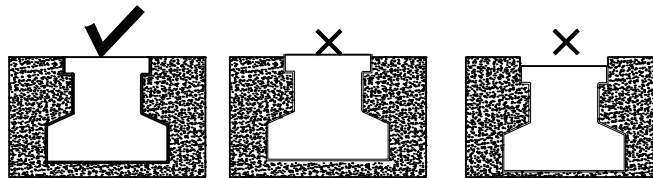


**WARNING :**  
FAILURE TO PROVIDE  
PROPER DRAINAGE  
WILL VOID PRODUCT  
WARRANTY

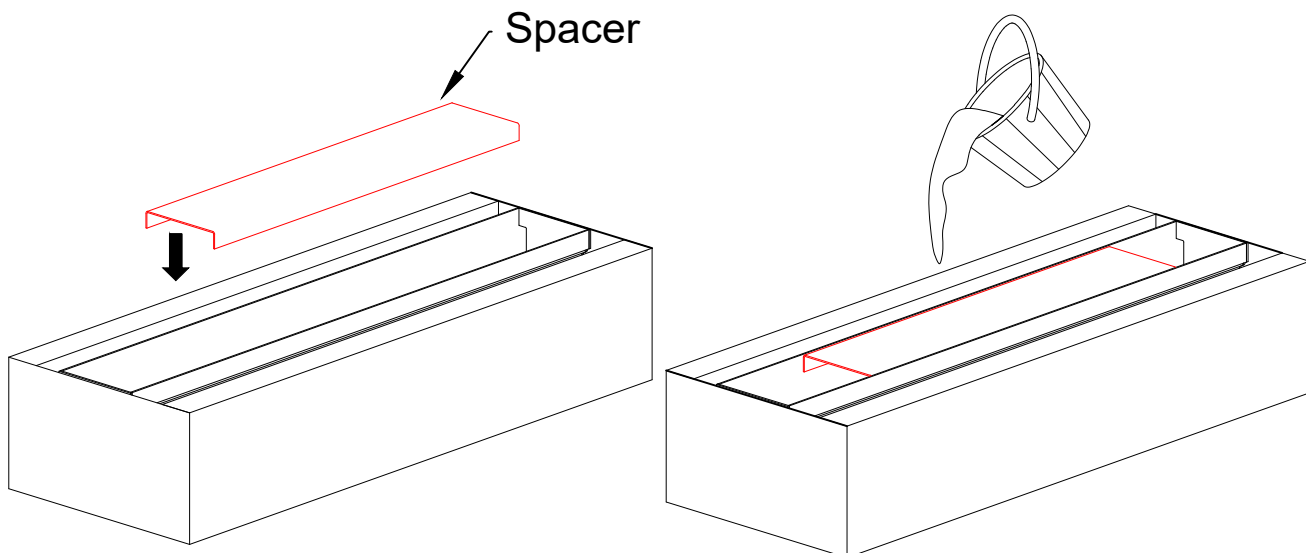
### 3. Put the housing in the hole and screw it



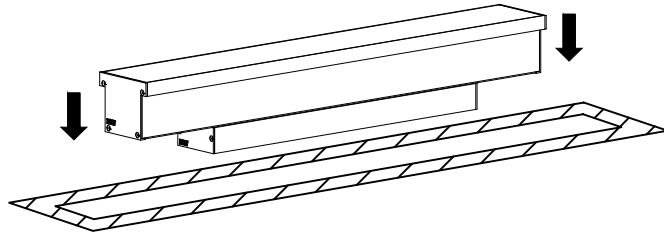
### 4. Make Sure the surface of the housing is flushed with the ground



### 5. Housing spacer should be used during installation to avoid housing aperture being deformed by accident



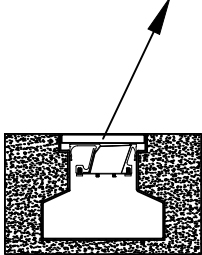
## 6. Put the luminaire in the housing



### Light direction and the power feeding for asymmetrical optics:

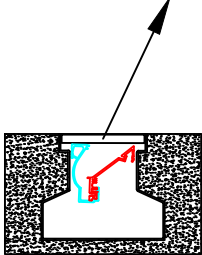
Below section views shows the light direction and the power feeding location for the asymmetrical optic.

Light Direction



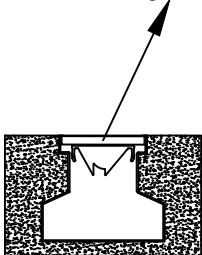
Grazing Baffles

Light Direction

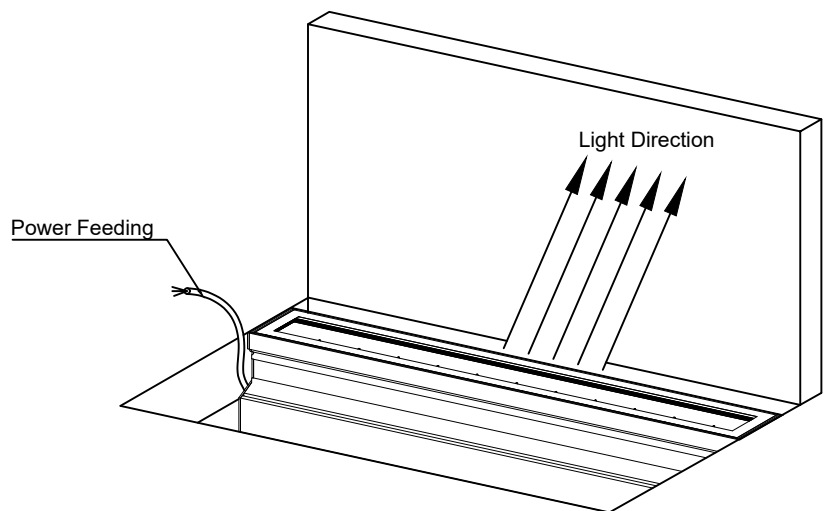


CutOff Washer

Light Direction

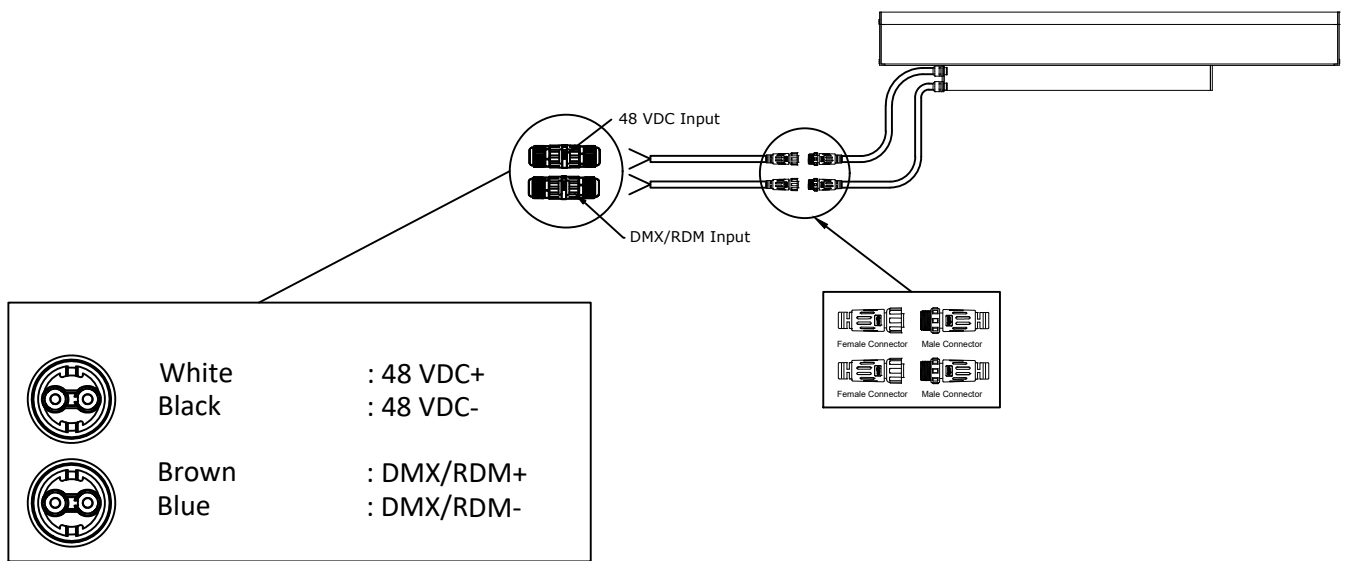


Asymmetrical Lens

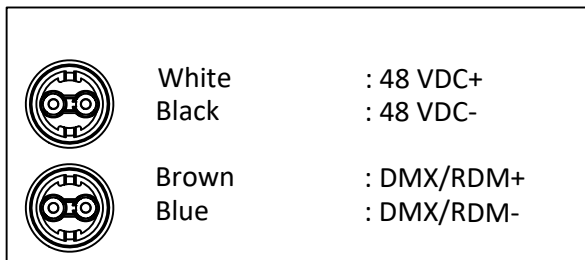
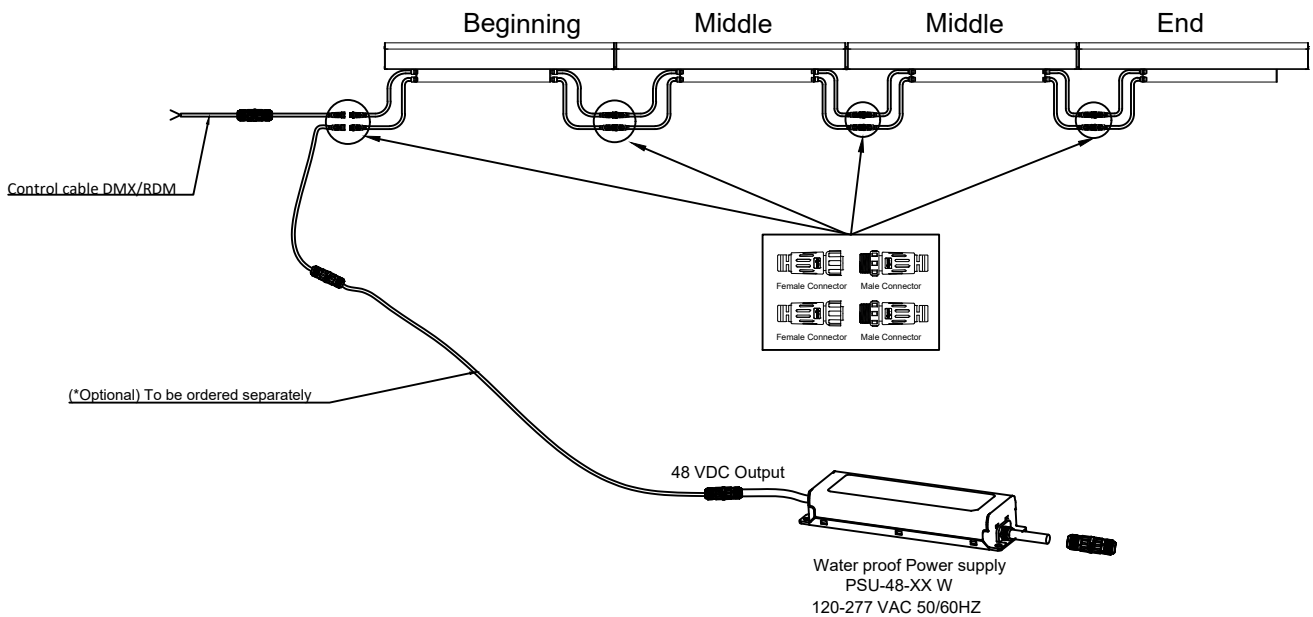


## Product Installation guide

### Electrical wiring for Individual



### Electrical wiring for Continuous Run



Power input-277V~ 50/60 Hz			
Power Supply	Power P1(7.6W/ft)	Power P2(11W/ft)	PowerP3(15.2W/ft)
75W-48VDC	8.4 ft	5.8 ft	4.2 ft
100W-48VDC	11.2 ft	7.7 ft	5.6 ft
150W-48VDC	16.7 ft	11.6 ft	8.4 ft
200W-48VDC	22.3 ft	15.5 ft	11.2 ft
Power input-120V~ 50/60 Hz			
Power Supply	Power P1(7.6W/ft)	Power P2(11W/ft)	PowerP3(15.2W/ft)
75W-48VDC	6.7 ft	4.6 ft	3.3 ft
100W-48VDC	7.8 ft	5.4 ft	3.9 ft
150W-48VDC	11.7 ft	8.1 ft	5.9 ft
200W-48VDC	16.7 ft	11.6 ft	8.4 ft



Do not exceed 49.21 feet cable lengths between Power supply and the Beginning