

ZINC BOLLARD

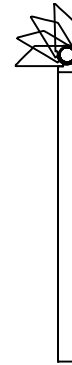
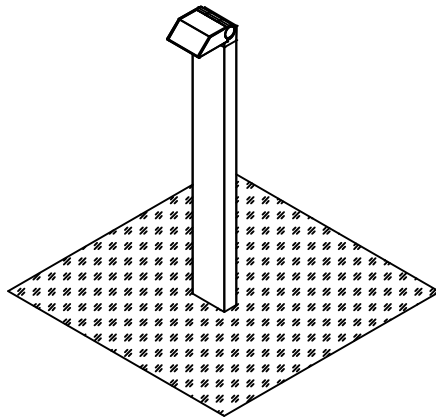
Product Installation guide



MAKE SURE THE POWER IS OFF DURING INSTALLATION



220-240V~
50/60 Hz

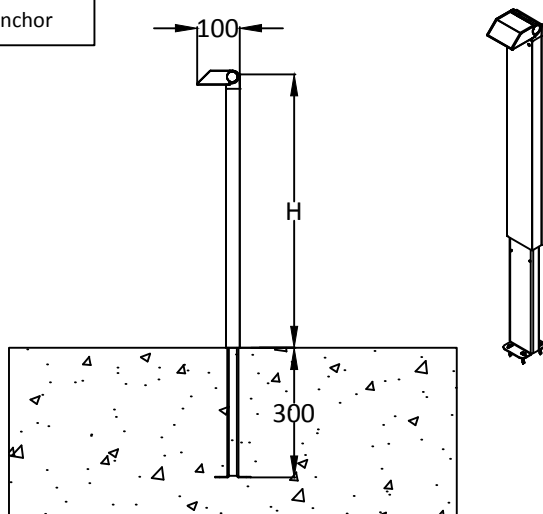


RISK OF FIRE AND ELECTRICAL SHOCK



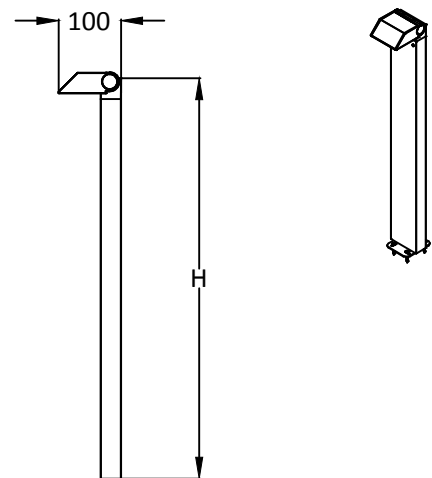
1. Turn off the electrical power before starting the installation of the light fixture.
2. The feeding voltage must not exceed the specified fixture voltage.
3. This product must be installed by an eligible electrician.
4. Make sure the luminaire is mounted to a secure structure. Failure to mount the fixture correctly could result in serious injury.
5. Class 1 must be earthed in a reliable way.
6. The light source of this luminaire is not replaceable; when the light source reaches its end of life the whole luminaire shall be replaced.
7. Wear gloves and safety glasses at all times, moreover when removing the luminaire from the box, installing, servicing and performing its maintenance.
8. It is very important not to install a damaged product! This luminaire is properly packed to avoid being damaged during transit. Check for impaired objects before installation. Any damaged or broken item during or after assembly must be replaced.
9. Unauthorized repairs or modifications will void warranty.

Deep Anchor



Dimensions in mm.

Surface Bracket

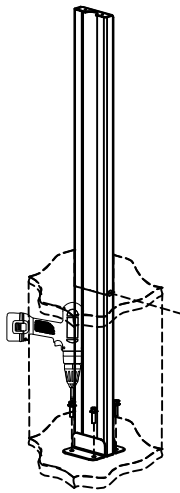


Dimensions in mm.

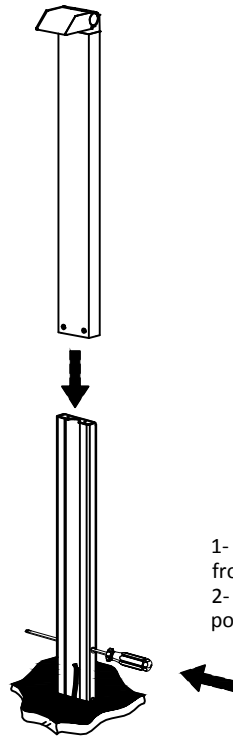
ZINC BOLLARD

Product Installation guide

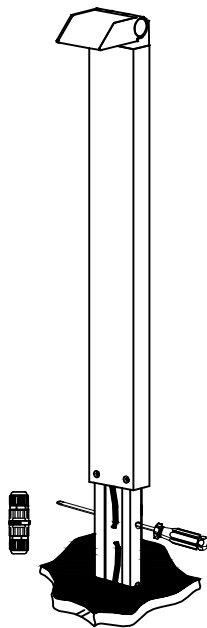
Deep Anchor



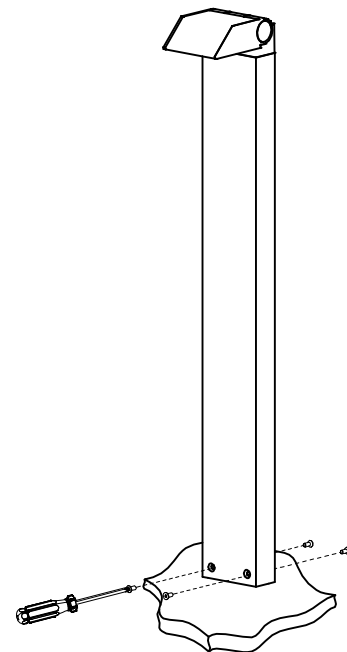
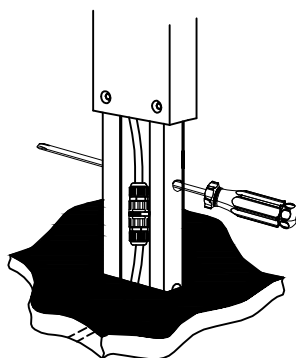
Screw the anchoring post angles on the supporting slab then pour concrete till embossing marks



1- Insert a screwdriver into the side holes from side to side.
2- Slide the bollard pole into the anchoring post.



1- Connect the luminaire to the mains cable using a waterproof connector
2- Remove the screwdriver and slide the pole downwards.

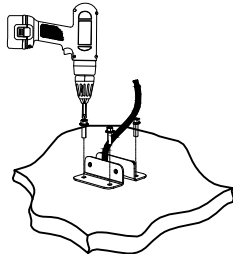


Fasten the luminaire using the provided screws.

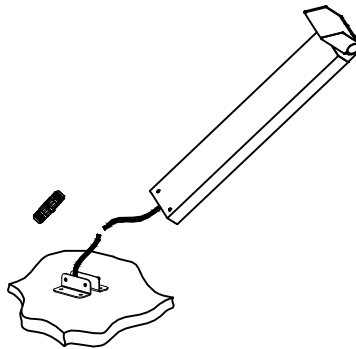
ZINC BOLLARD

Product Installation guide

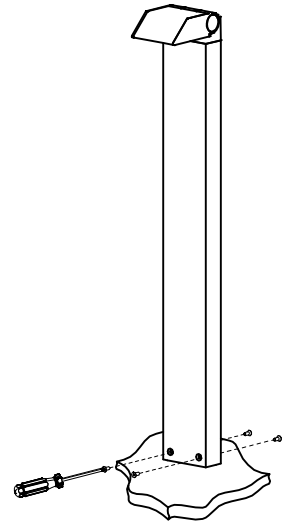
Surface Bracket



Screw the bracket onto the floor reference. Make sure the main electrical cable is in between the brackets.



Connect luminaire to main cable using a waterproof connector



Fasten the luminaire using the provided screws.

Wiring

Non dimmable fixtures are attached to a 3 pole cable.
The wiring to the main voltage should follow the color code below:

Line : Brown
Neutral : Blue
Ground : Yellow/ Green

Dimmable fixtures (DALI or 1-10V) are attached to a 5 pole cable.
The wiring to the main voltage should follow the below color code:

Line : Brown
Neutral : Blue
Ground : Yellow/ Green
DIM+ : Gray
DIM- : Black

