

# ZINC RAY

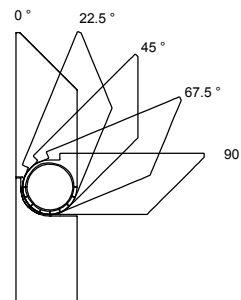
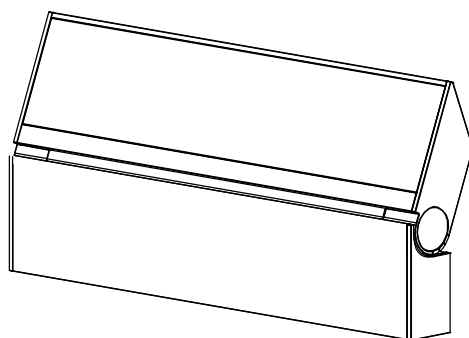
## Product Installation guide



MAKE SURE THE POWER IS OFF DURING INSTALLATION



220-240V~  
50/60 Hz

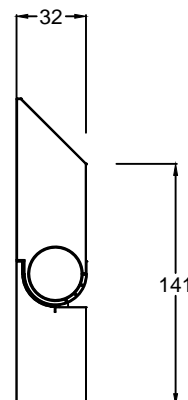
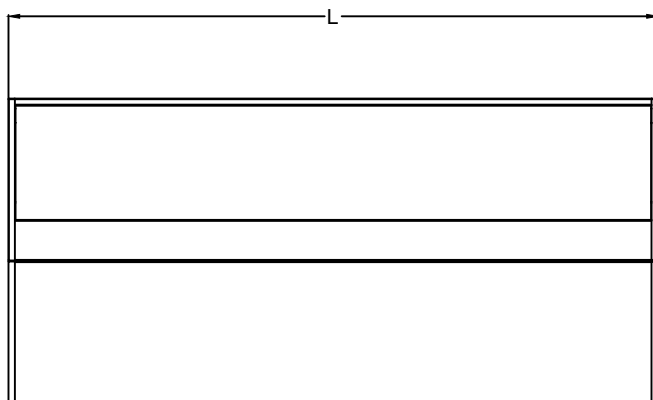


### RISK OF FIRE AND ELECTRICAL SHOCK



1. Turn off the electrical power before starting the installation of the light fixture.
2. The feeding voltage must not exceed the specified fixture voltage.
3. This product must be installed by an eligible electrician.
4. Make sure the luminaire is mounted to a secure structure. Failure to mount the fixture correctly could result in serious injury.
5. Class 1 must be earthed in a reliable way.
6. The light source of this luminaire is not replaceable; when the light source reaches its end of life the whole luminaire shall be replaced.
7. Wear gloves and safety glasses at all times, moreover when removing the luminaire from the box, installing, servicing and performing its maintenance.
8. It is very important not to install a damaged product! This luminaire is properly packed to avoid being damaged during transit. Check for impaired objects before installation. Any damaged or broken item during or after assembly must be replaced.
9. Unauthorized repairs or modifications will void warranty.

L : 306 mm  
600 mm  
894 mm  
1188mm

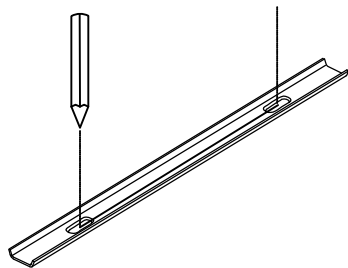


Dimensions in mm.

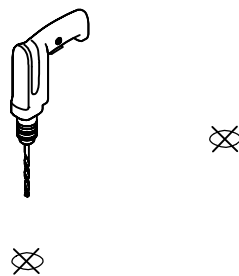
# ZINC RAY

## Product Installation guide

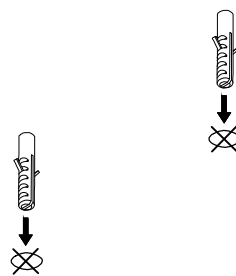
### Mounting



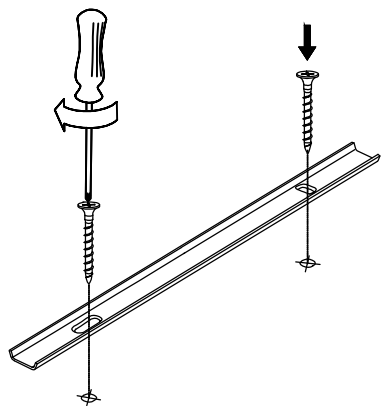
1 Place the bracket in the desired location  
Mark holes to be drilled with a pencil



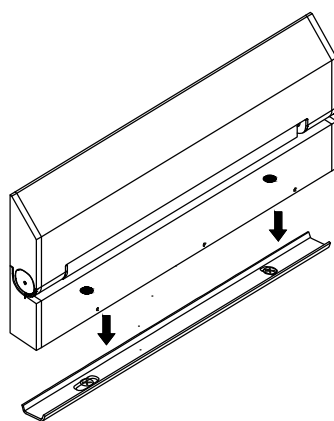
2 Drill holes to prepare  
for dowels' insertion



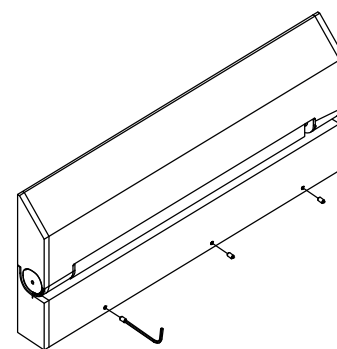
3 Insert dowels



4 Place the bracket  
in the desired location

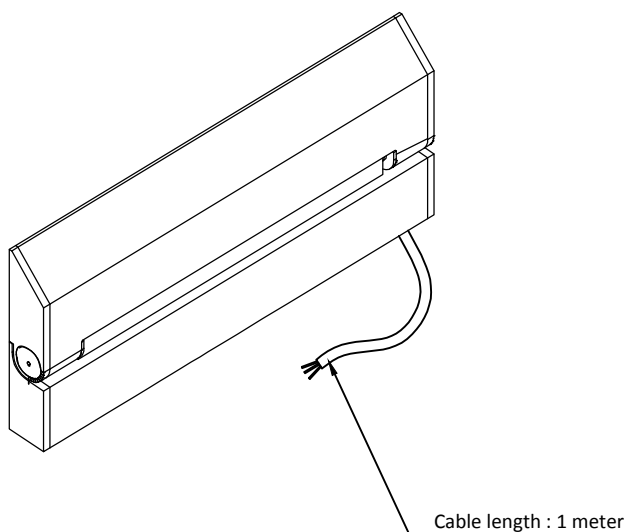


5 Position the luminaire in place

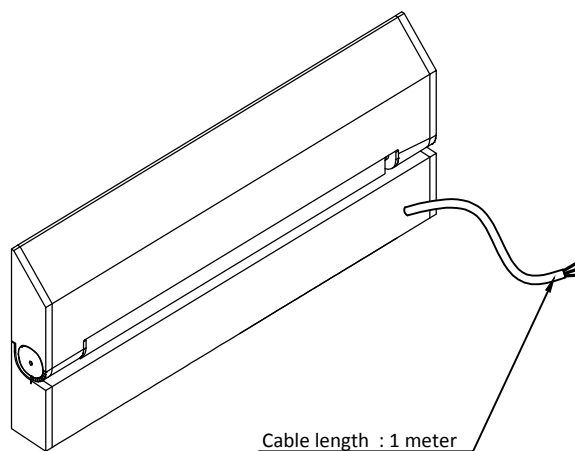


6 Fasten the luminaire using the provided  
set screw along with the Hex Key

### Hidden Feeding



### Back Feeding



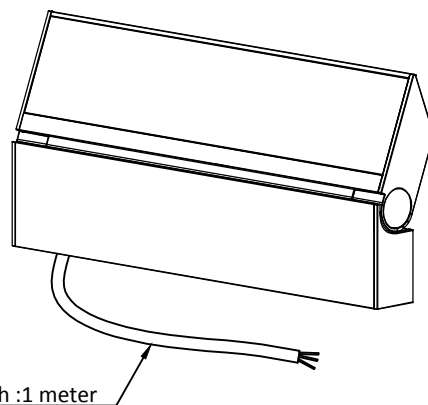
# ZINC RAY

## Product Installation guide

### Wiring

Non dimmable fixtures are attached to a 3 pole cable.  
The wiring to the main voltage should follow the color code below:

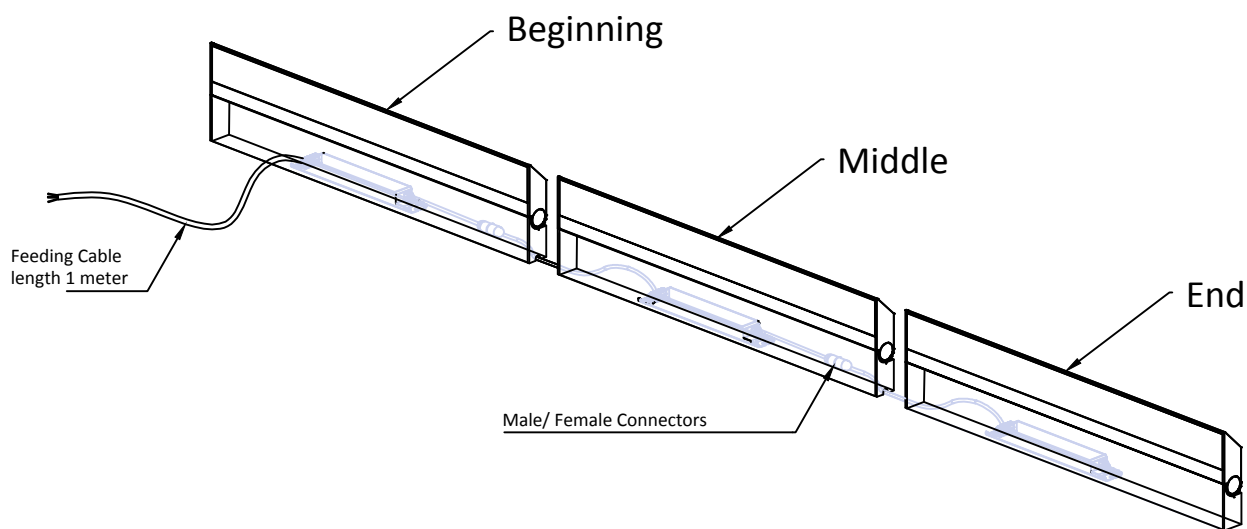
Line : Brown  
Neutral : Blue  
Ground : Yellow/ Green



Dimmable fixtures (DALI or 1-10V) are attached to a 5 pole cable. The wiring to the main voltage should follow the below color code:

Line : Brown  
Neutral : Blue  
Ground : Yellow/ Green  
DIM+ : Gray  
DIM- : Black

### Continuous Run



Do not connect more than 700W on a single run